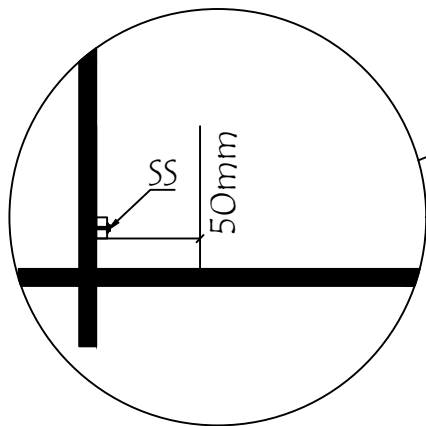
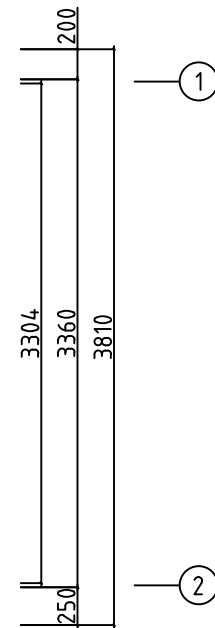
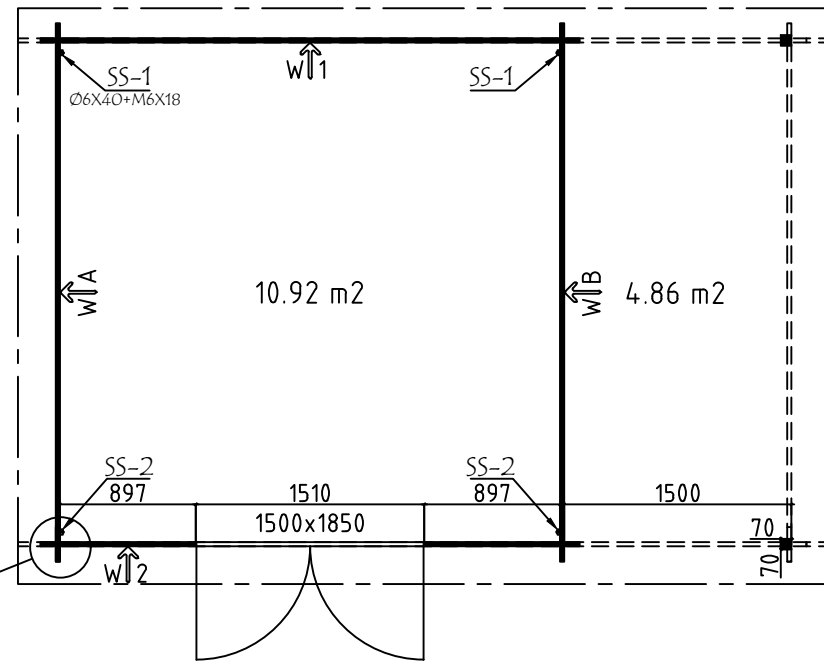
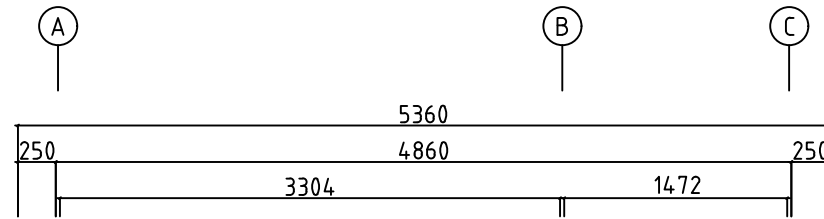
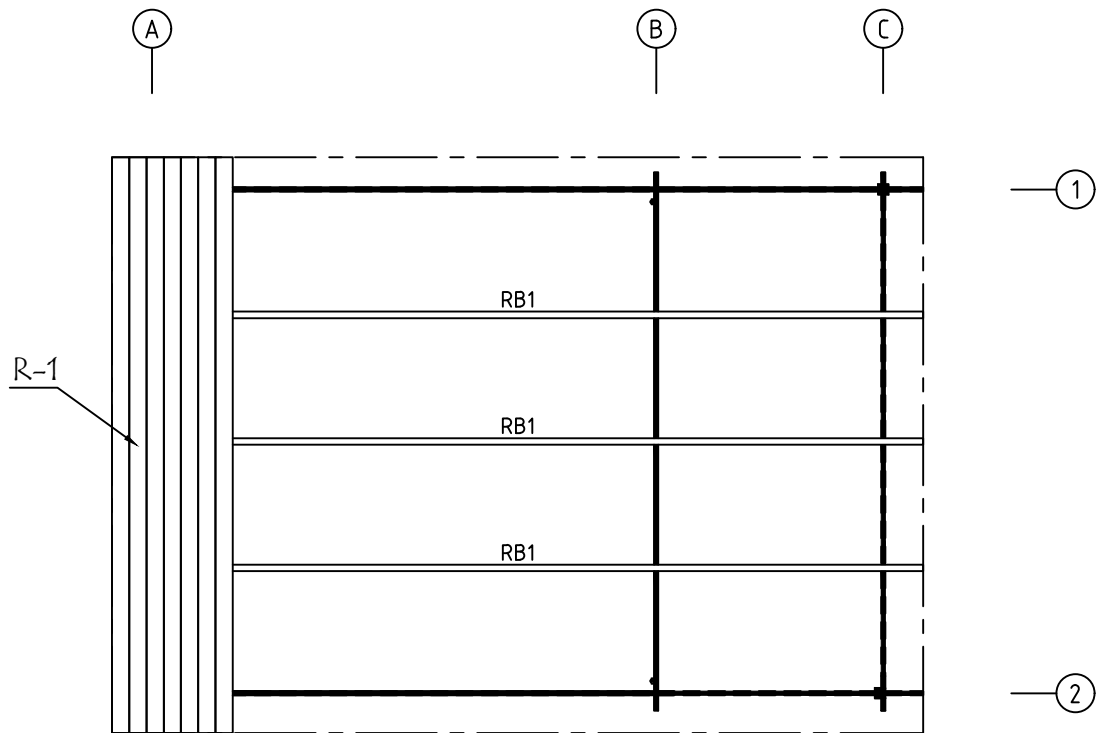


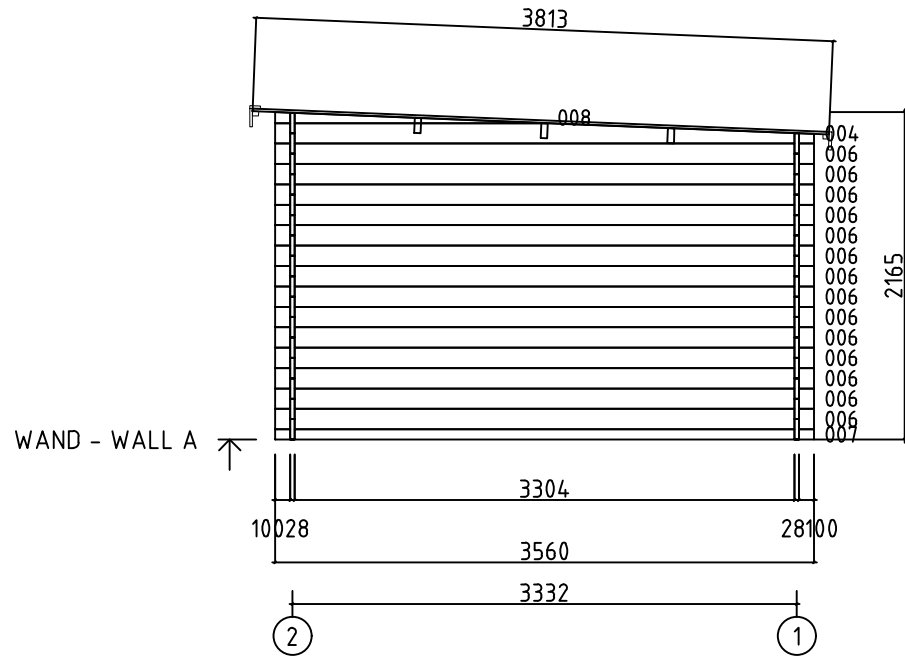
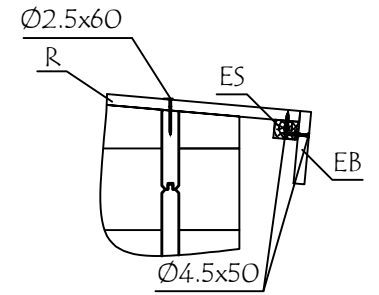
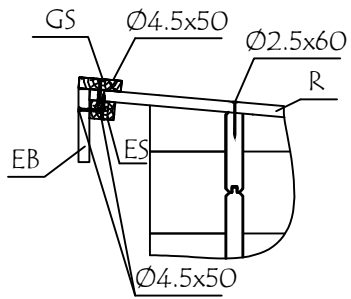
| | | | |
|-------------------|---------|---------------|-------------|
| Model | 2818280 | Seite/Page | 1 |
| Zeichnung/Drawing | 3D | Maßstab/Scale | 1:50 |
| Profil/Profile | 28X135 | Datum/Date | 11.02.2026 |
| Zeichner/Drafter | SRM | File | 2818280.dwg |



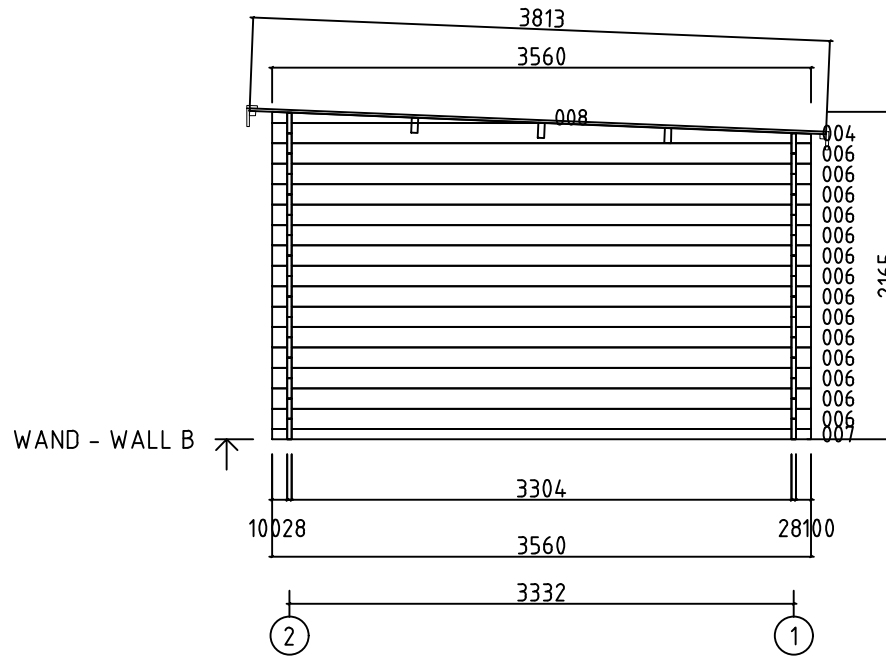
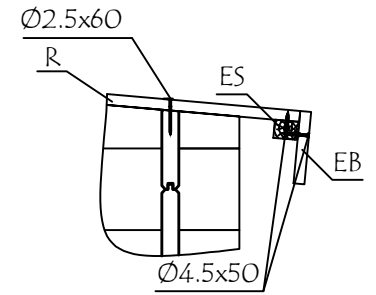
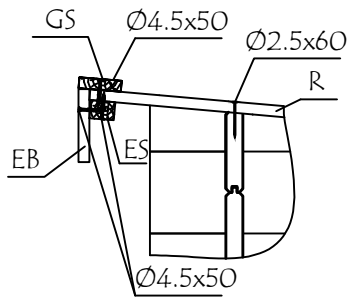
| | | | |
|-------------------|-----------------------|---------------|-------------|
| Model | 2818280 | Seite/Page | 2 |
| Zeichnung/Drawing | GRUNDPLAN - GRUNDPLAN | Maßstab/Scale | 1:50 |
| Profil/Profile | 28X135 | Datum/Date | 12.02.2026 |
| Zeichner/Drafter | SRM | File | 2818280.dwg |



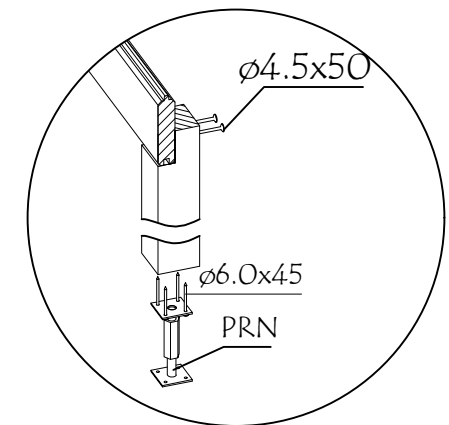
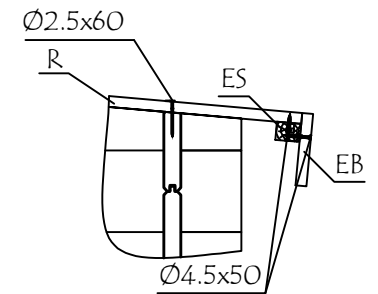
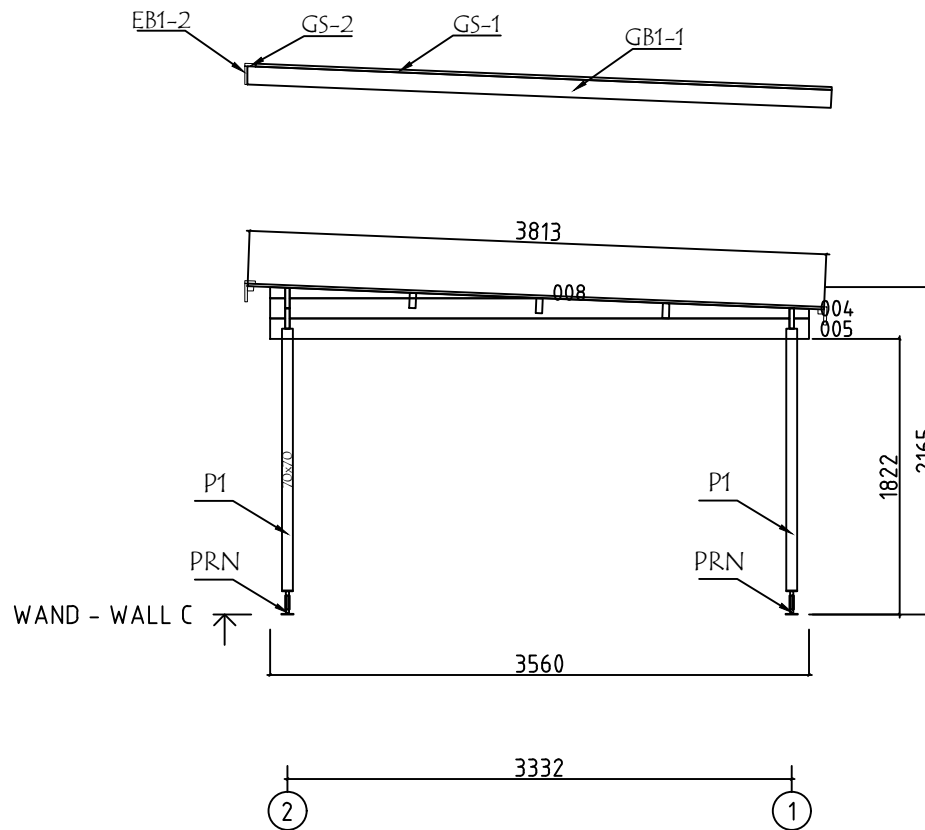
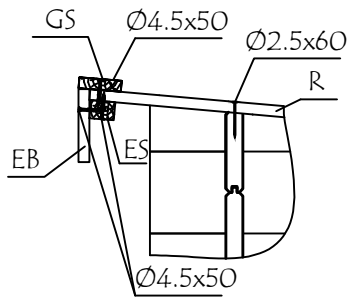
| | | | |
|-------------------|--------------------------------|---------------|-------------|
| Model | 2818280 | Seite/Page | 3 |
| Zeichnung/Drawing | DACH-PLAN - ROOF PLAN | Maßstab/Scale | 1:50 |
| Profil/Profile | 88X18 oder- or 114X18 / 43X140 | Datum/Date | 12.02.2026 |
| Zeichner/Drafter | SRM | File | 2818280.dwg |



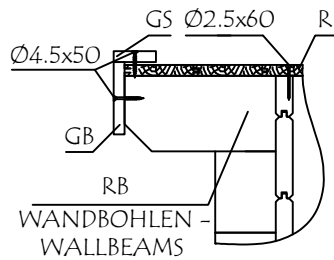
| | | | |
|-------------------|---------------|---------------|-------------|
| Model | 2818280 | Seite/Page | 4 |
| Zeichnung/Drawing | WAND - WALL A | Maßstab/Scale | 1:50 |
| Profil/Profile | 28X135 | Datum/Date | 12.02.2026 |
| Zeichner/Drafter | SRM | File | 2818280.dwg |



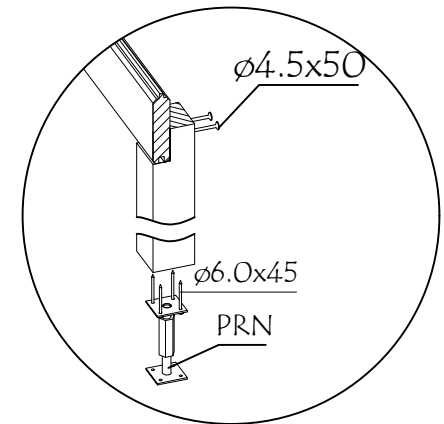
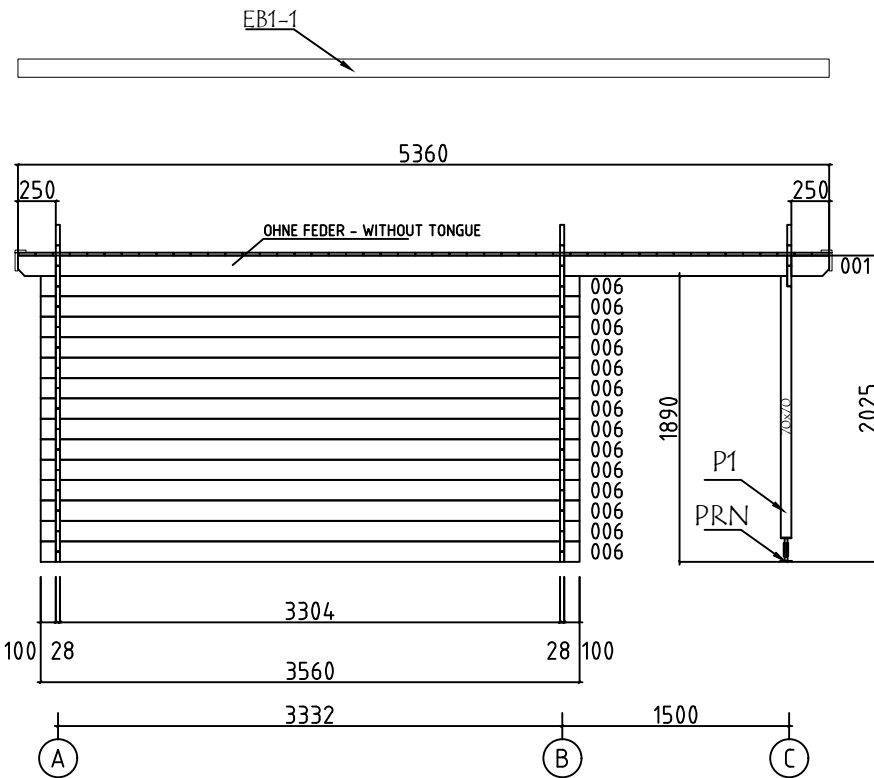
| | | | |
|-------------------|---------------|---------------|-------------|
| Model | 2818280 | Seite/Page | 5 |
| Zeichnung/Drawing | WAND - WALL B | Maßstab/Scale | 1:50 |
| Profil/Profile | 28X135 | Datum/Date | 12.02.2026 |
| Zeichner/Drafter | SRM | File | 2818280.dwg |



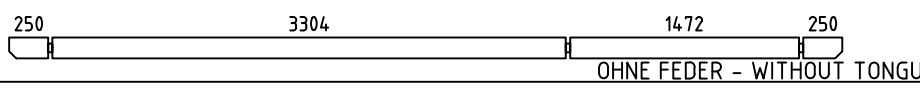
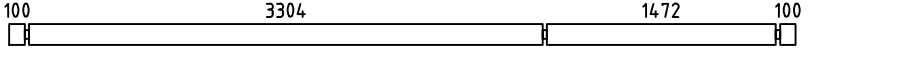
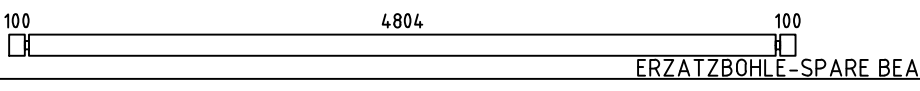
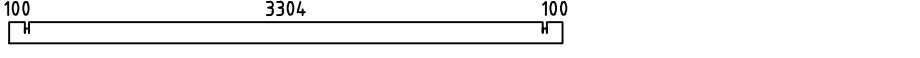
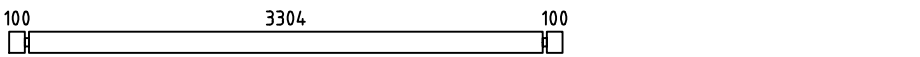
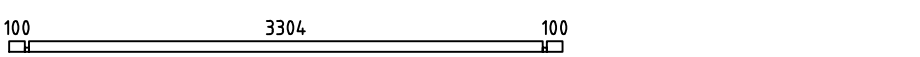
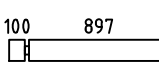
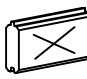
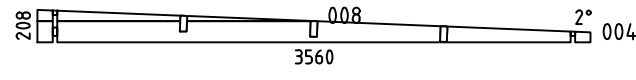
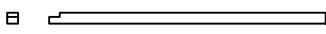
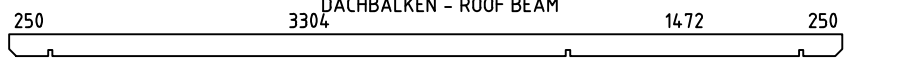
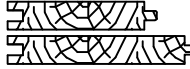
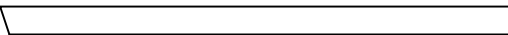



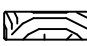


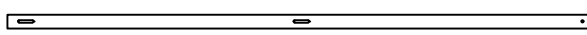



| | | | |
|-------------------|---------------|---------------|-------------|
| Model | 2818280 | Seite/Page | 6 |
| Zeichnung/Drawing | WAND - WALL C | Maßstab/Scale | 1:50 |
| Profil/Profile | 28X135 | Datum/Date | 12.02.2026 |
| Zeichner/Drafter | SRM | File | 2818280.dwg |



WAND - WALL 1 ↗



| | | | |
|-------------------|---------------|---------------|-------------|
| Model | 2818280 | Seite/Page | 7 |
| Zeichnung/Drawing | WAND - WALL 1 | Maßstab/Scale | 1:50 |
| Profil/Profile | 28X135 | Datum/Date | 12.02.2026 |
| Zeichner/Drafter | SRM | File | 2818280.dwg |

| Pos | Bestimmung-Specification 2818280 | Stck Pcs. | Profil Profile (mm) | Länge Length (mm) | |
|----------------------|---|--------------|---------------------------|-------------------------|-----|
| 001 |  OHNE FEDER - WITHOUT TONGUE | 2 | 28x135 | 5360 | |
| 002 |  | 1 | 28x135 | 5060 | |
| 003 |  ERZATZBOHLE - SPARE BEAM | 1 | 28x135 | 5060 | |
| 005 |  | 1 | 28x135 | 3560 | |
| 006 |  | 42 | 28x135 | 3560 | |
| 007 |  | 2 | 28x68 | 3560 | |
| 009 |  | 28 | 28x135 | 1025 | |
| SH | SCHLAGHOLZ - HAMMER BLOCK 28 MM  | 2 | 28X135 | 300 | |
| WA-1 WB-1 WC-1 |  | 1 1 1 | 28X208 | 3560 | |
| P1 | PFOSTEN - POST  | 2 | 70x70 | 1780 | |
| RB1 | DACHBALKEN - ROOF BEAM  | 3 | 43x140 | 5360 | |
| R-1 | DACHBRETT - ROOF BOARDS 88mm or-oder 114mm  | 61+1 47+1 | 88x18 114x18 | 3815 | |
| GB1-1 | GIEBELLEISTE - GABLE MOULDING  | 2 | 18x120 | 3865 | |
| EB1-1 | TRAUFBRETT - EAVES BOARD  | 1 | 18x120 | 5360 | |
| EB1-2 | TRAUFBRETT - EAVES BOARD  | 1 | 18x120 | 5396 | |
| ES-1 | TRAUFELEISTE - EAVES STRIPS  | 2 | 30x40 | 5360 | |
| GS-1 | GIEBELDECKLEISTE - GABLE COVER STRIPS  | 2 | 18x70 | 3810 | |
| GS-2 | GIEBELDECKLEISTE - GABLE COVER STRIPS  | 1 | 18x70 | 5396 | |
| SS-1 | STURMLEISTE - STORM PROTECTION  | 2 | 18x35 | 1920 | |
| SS-2 | STURMLEISTE - STORM PROTECTION  | 2 | 18x35 | 2040 | |
| HS | SCHRAUBEN FÜR GIEBELLEISTE - SCREWS FOR GABLE MOULDING GB  | 16 | Ø4.5X50 | | |
| HS | SCHRAUBEN FÜR PFOSTEN - SCREWS FOR POST P  | 4 | Ø4.5X50 | | |
| HS | SCHRAUBEN FÜR TRAUFBRETT - SCREWS FOR EAVES BOARD EB  | 24 | Ø4.5X50 | | |
| Model | 2818280 | Datum/Date | 12.02.2026 | Seite/Page | 1/2 |

