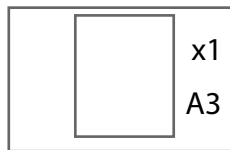
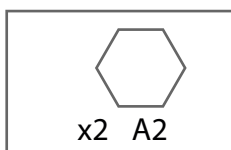
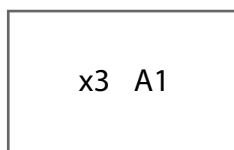


SAUNA HOUSE

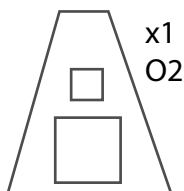
Assembly Guide

LIST OF DETAILS

Wall elements



Roof elements



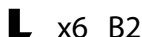
Roof hat



Door



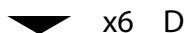
Corner cover elements



Fluted brim planks



Triangle details



Door posts



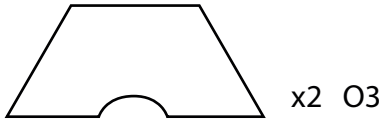
Inner corner strips



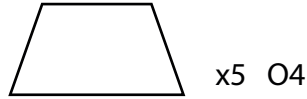
Roof's inner strips



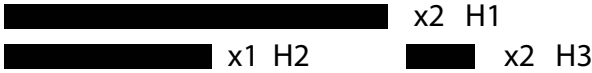
Divider roof



Inner roof elements



Door strips



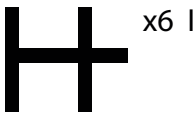
Window strips



Door's triangle details



Bench supports



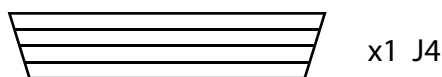
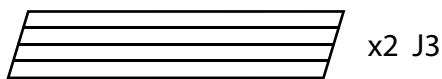
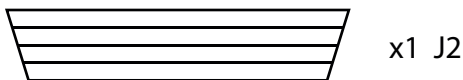
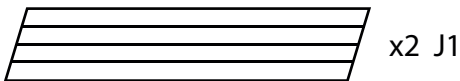
Heat protection



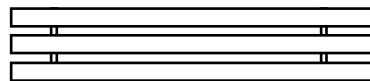
x1 V1

x2 V2

Benches

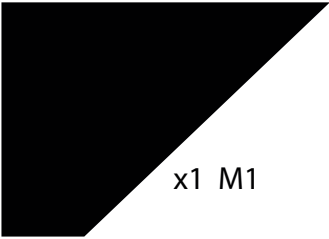


Lattice

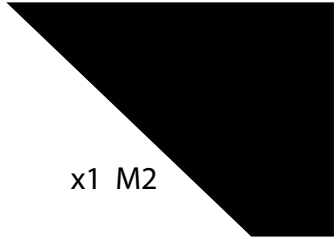


x3 J5

Cabin Details



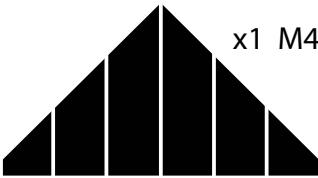
x1 M1



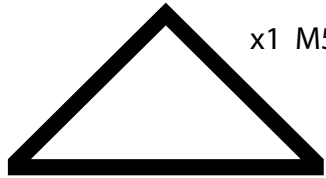
x1 M2



x1 M3



x1 M4



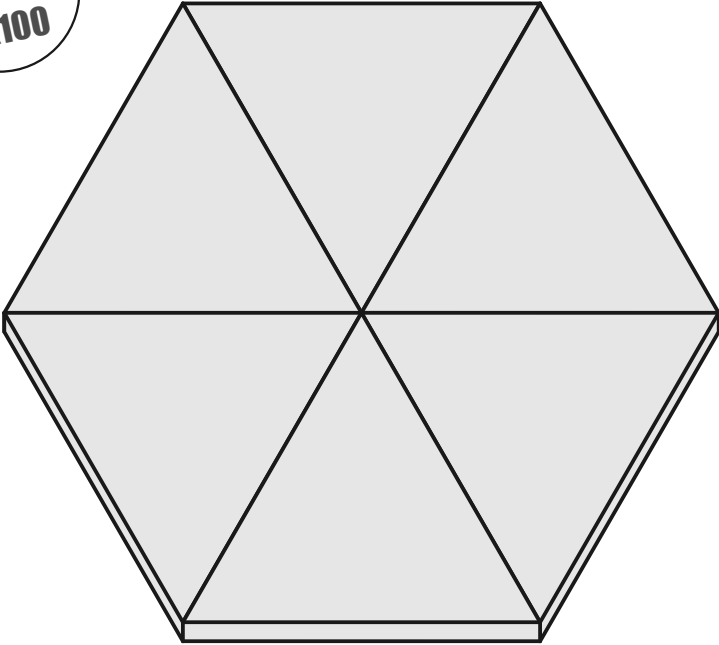
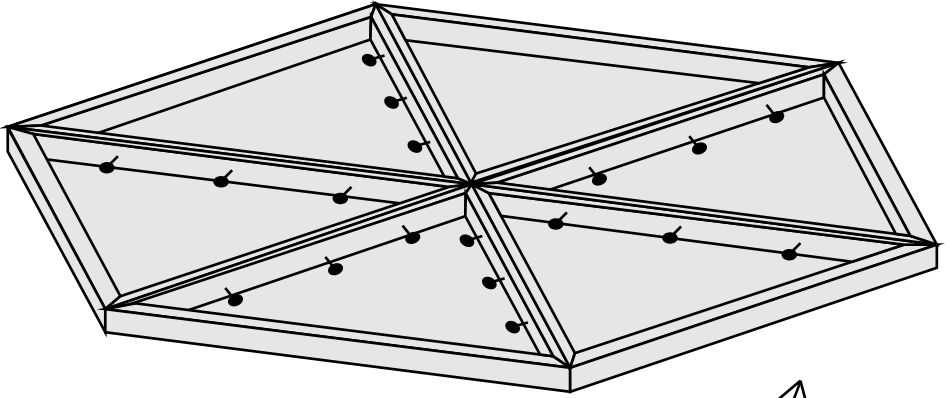
x1 M5



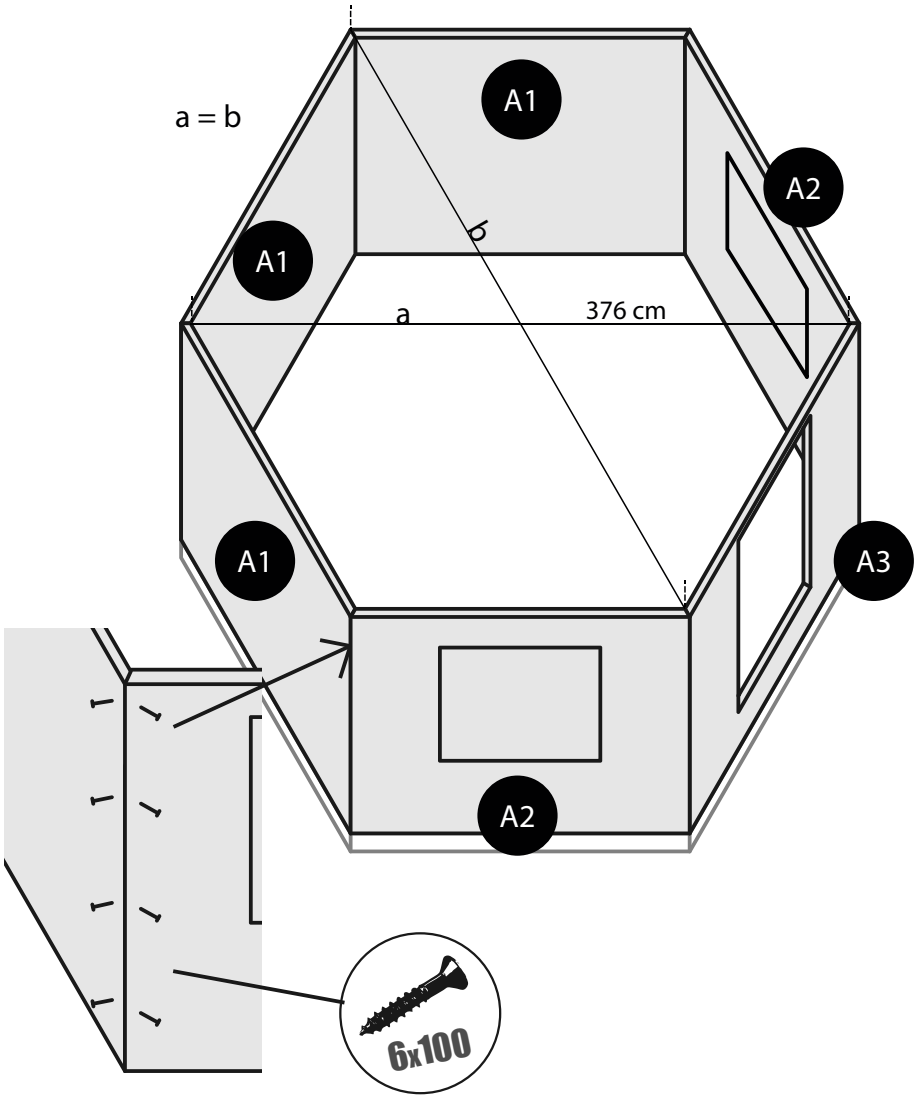
x2 M6



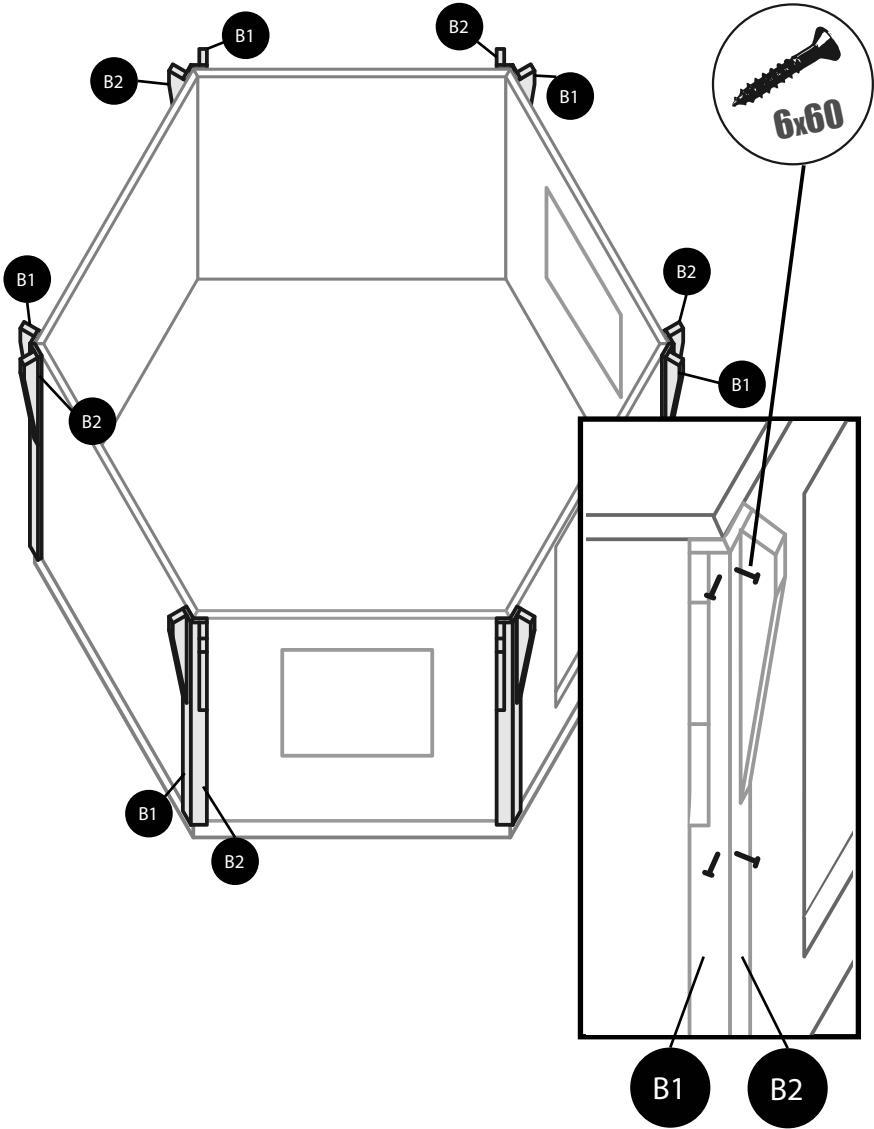
x1 M7



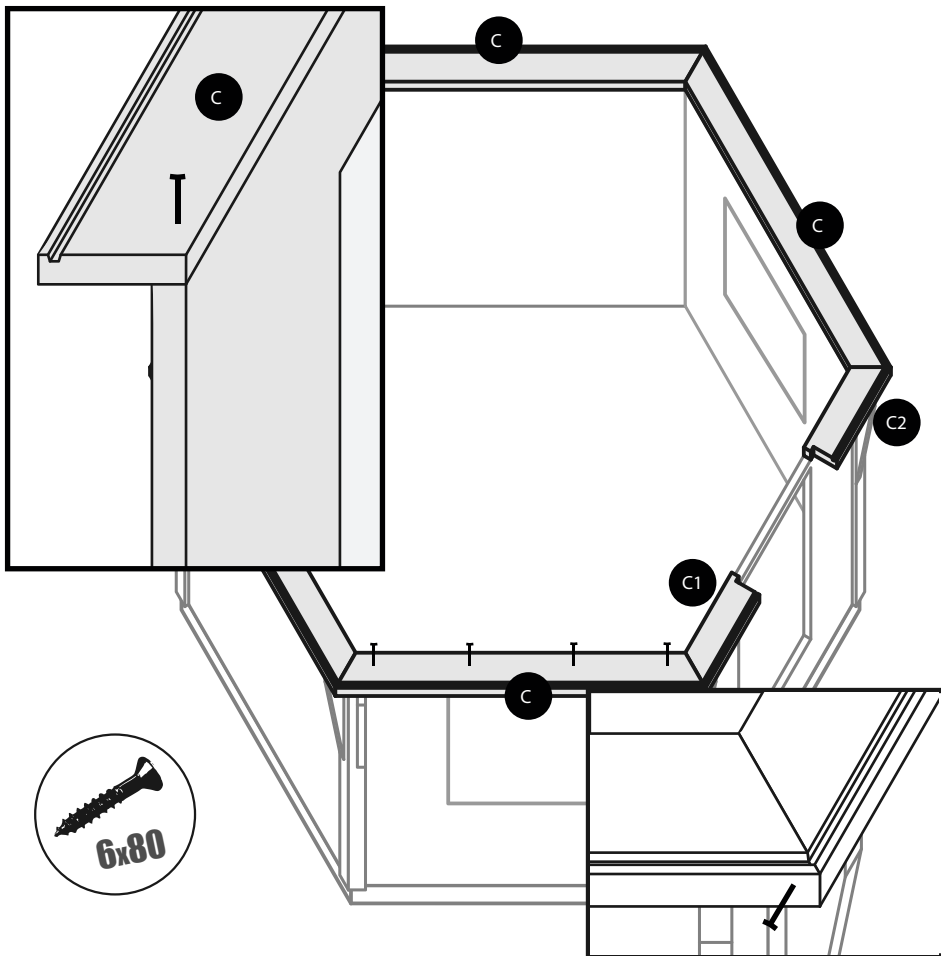
6



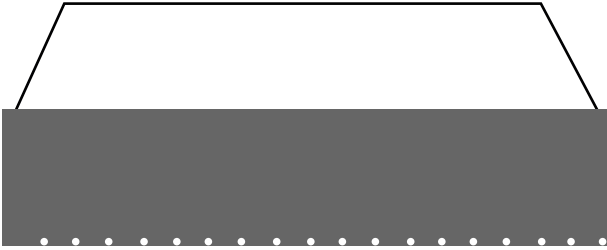
Attach wall elements to each other using 8 screws per corner. Wall element with ventilation hole goes opposite the door. Make sure the measurements match the figure.

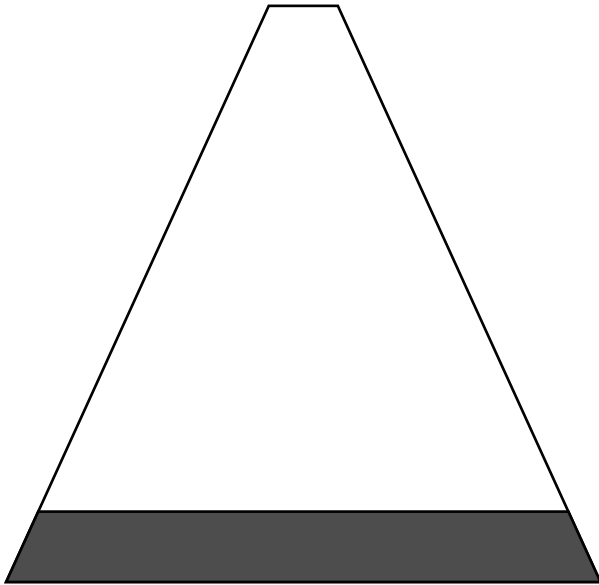
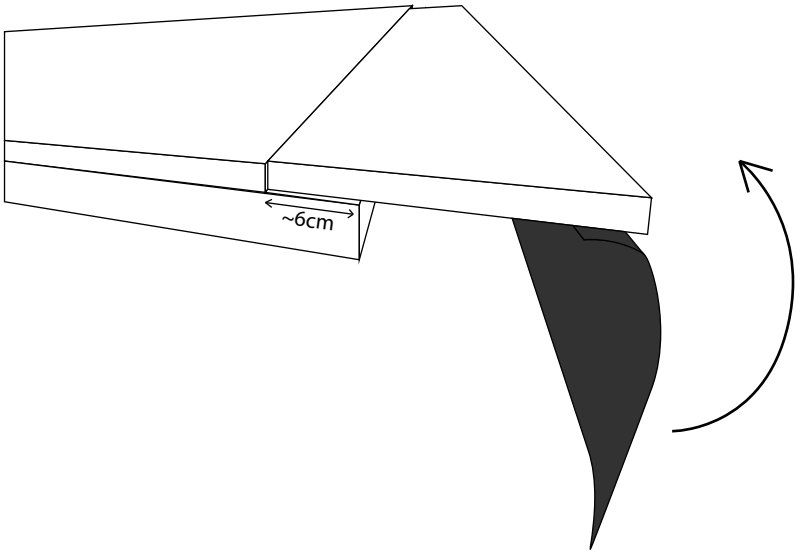


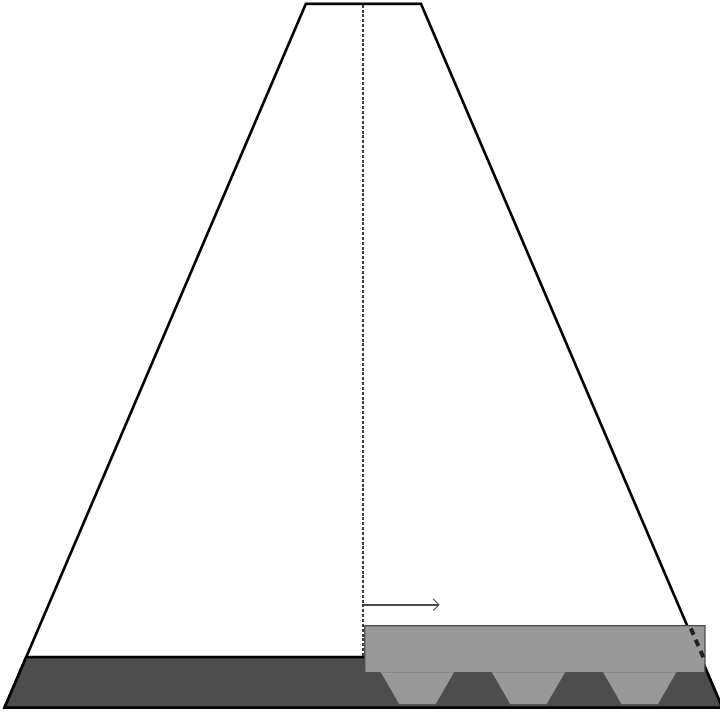
8



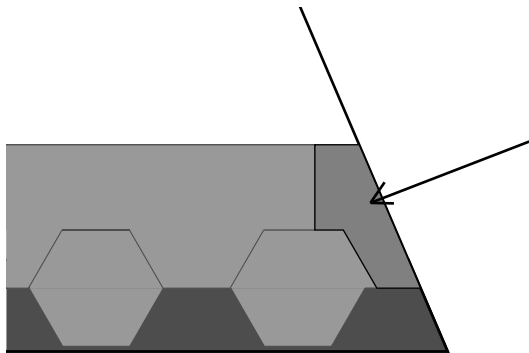
Make sure the planks inner edge is even with the walls inner side and that the corners fit nicely.





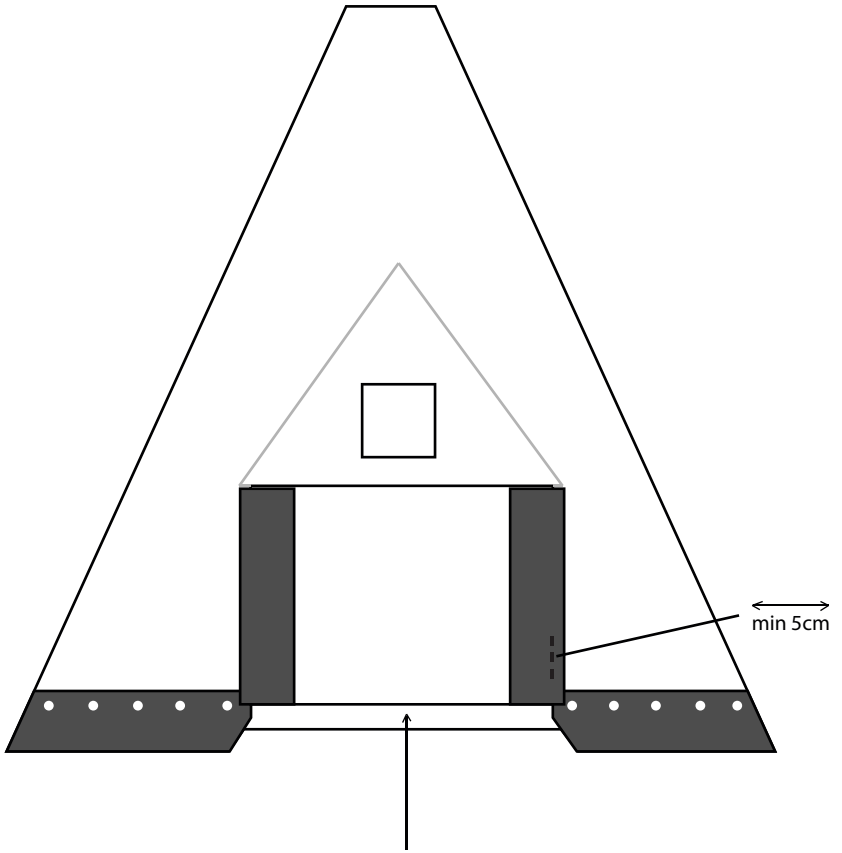


Always start from the center.

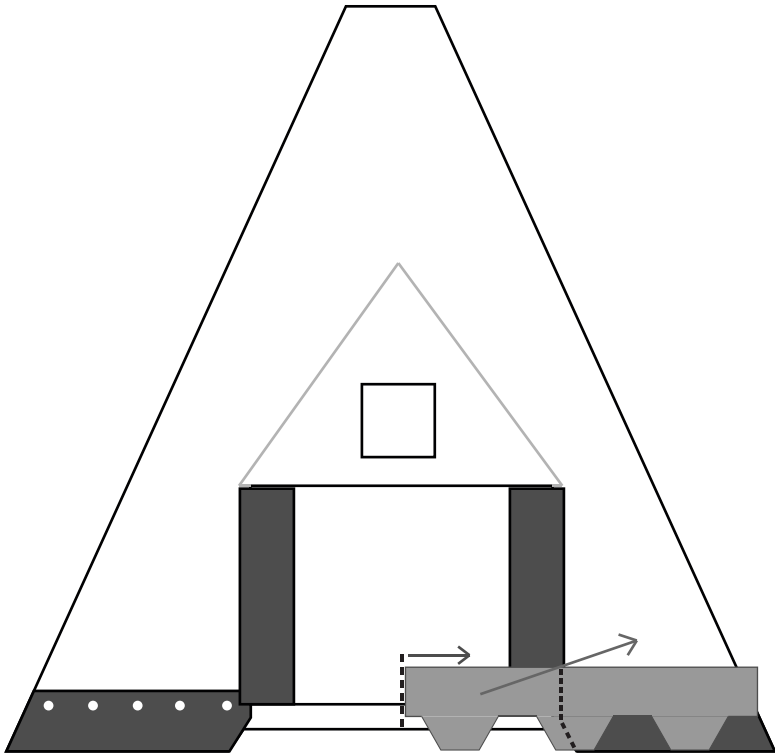


Use leftovers for the edges.

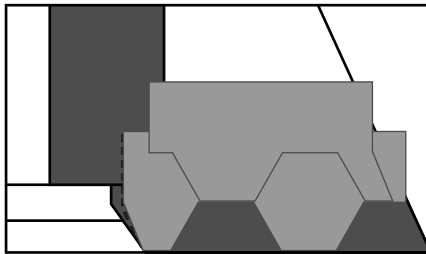




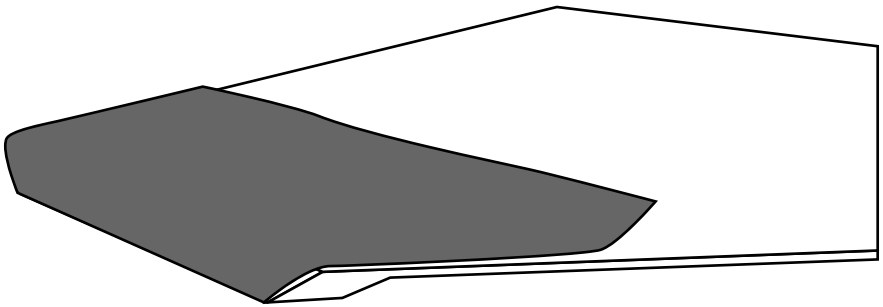
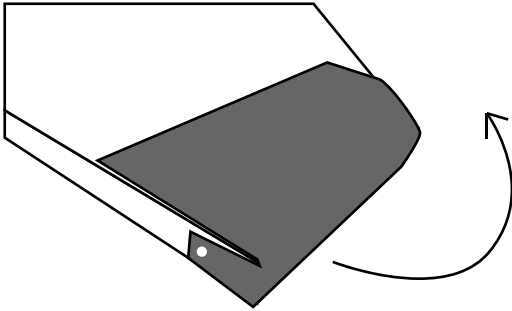
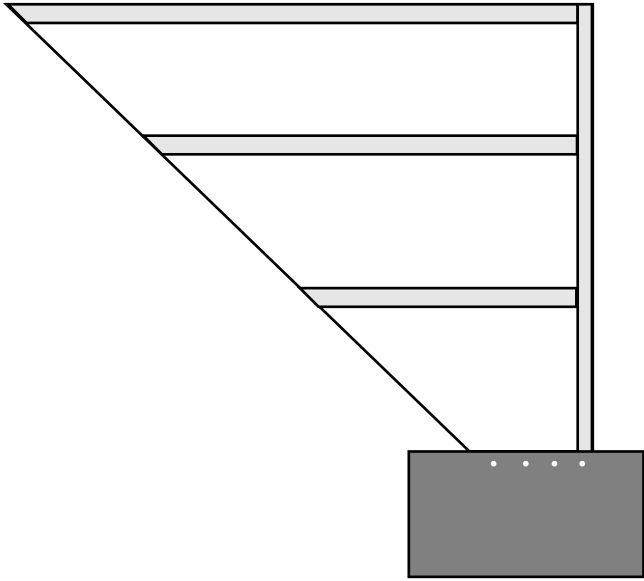
Measure and mark the center point.

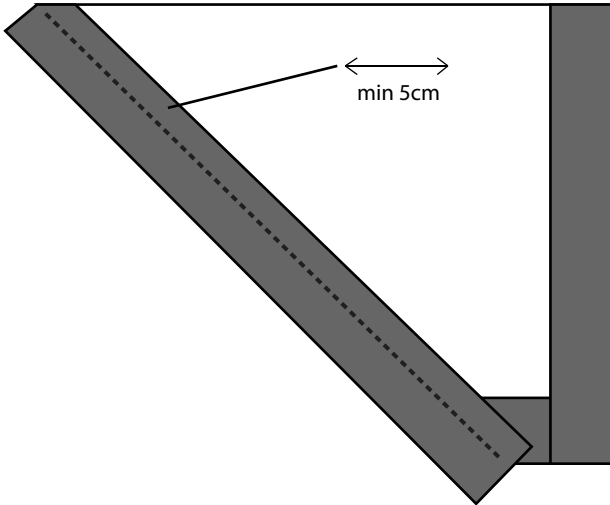
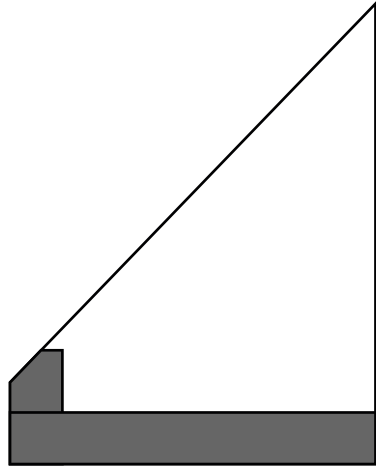
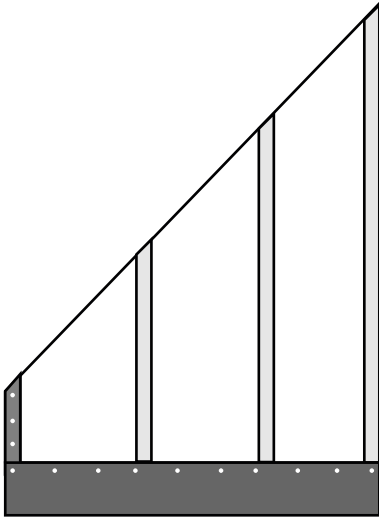


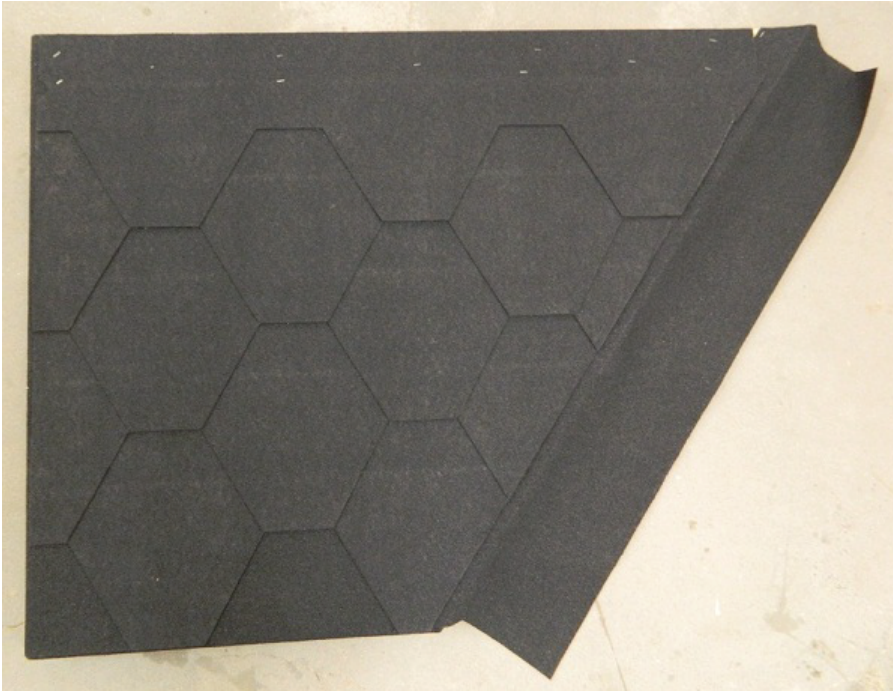
Always start from the center.

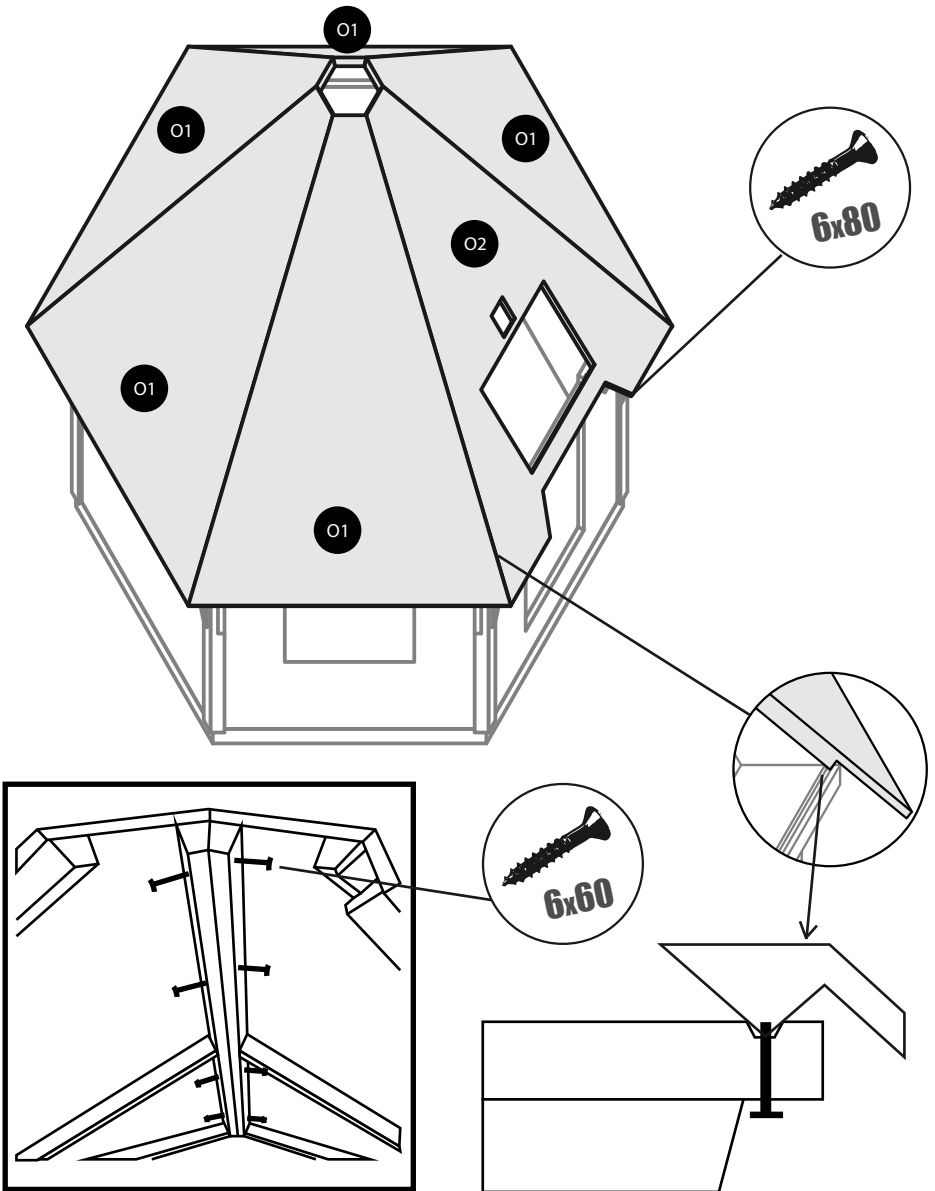




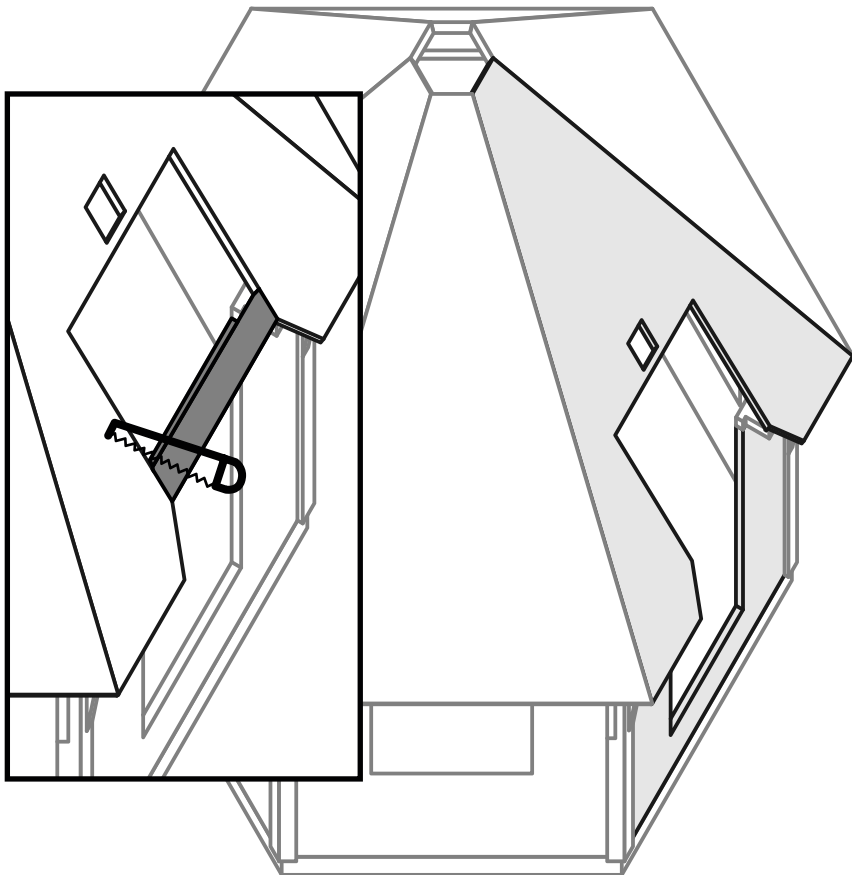


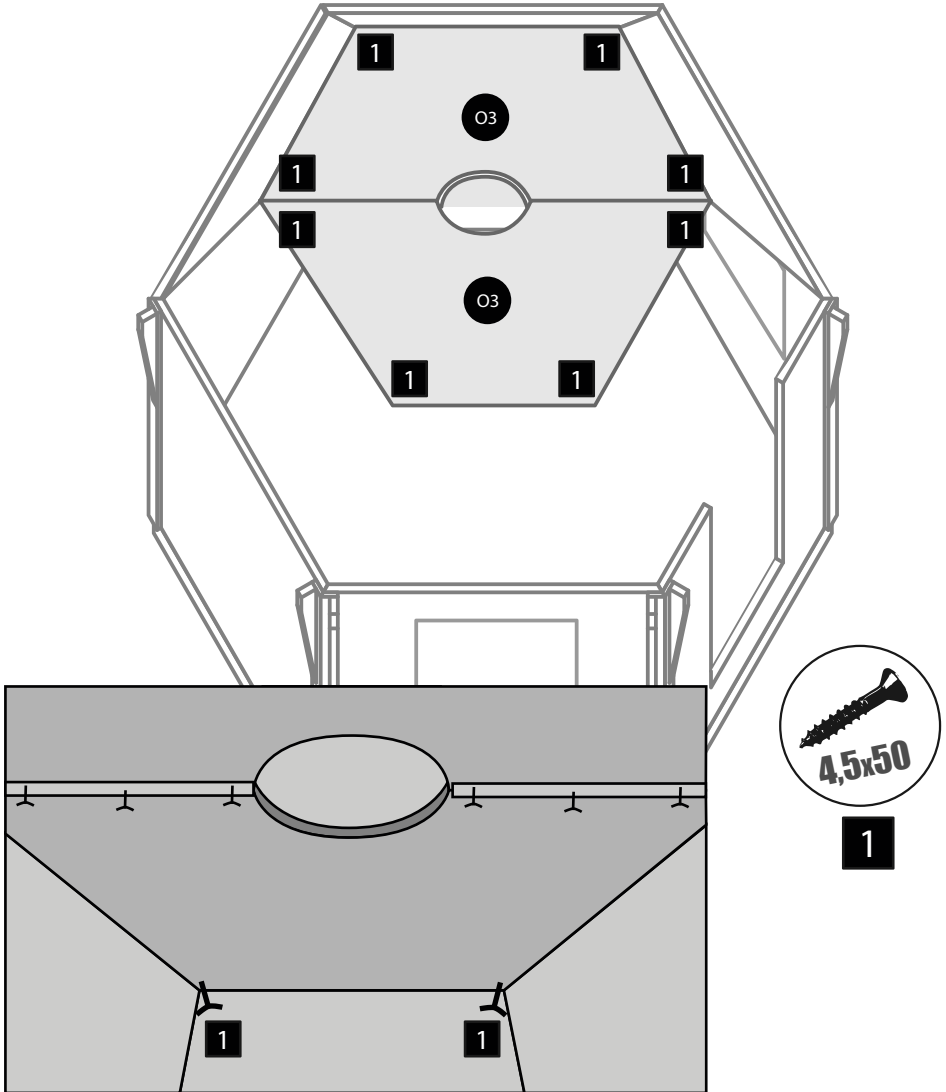




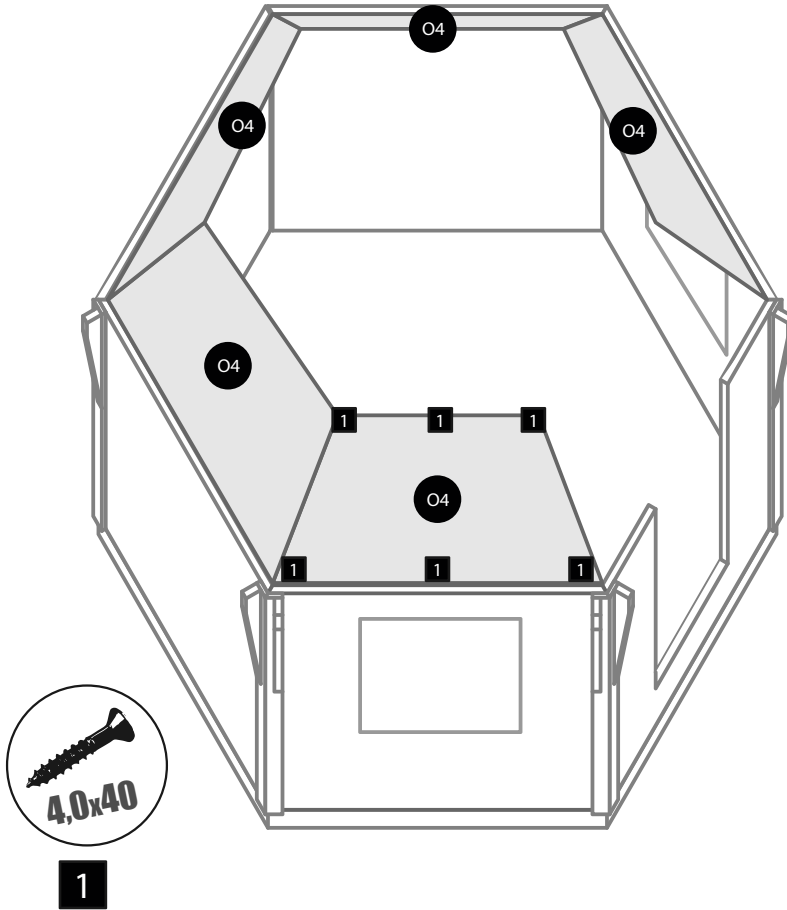


Be sure to provide support for each roof element while assembling. Use 8 screws to attach wall elements to one another and another 4 from under the brim planks. Make sure when placing the roof element with door hole (O2) that the gaps are even to the wall element's.

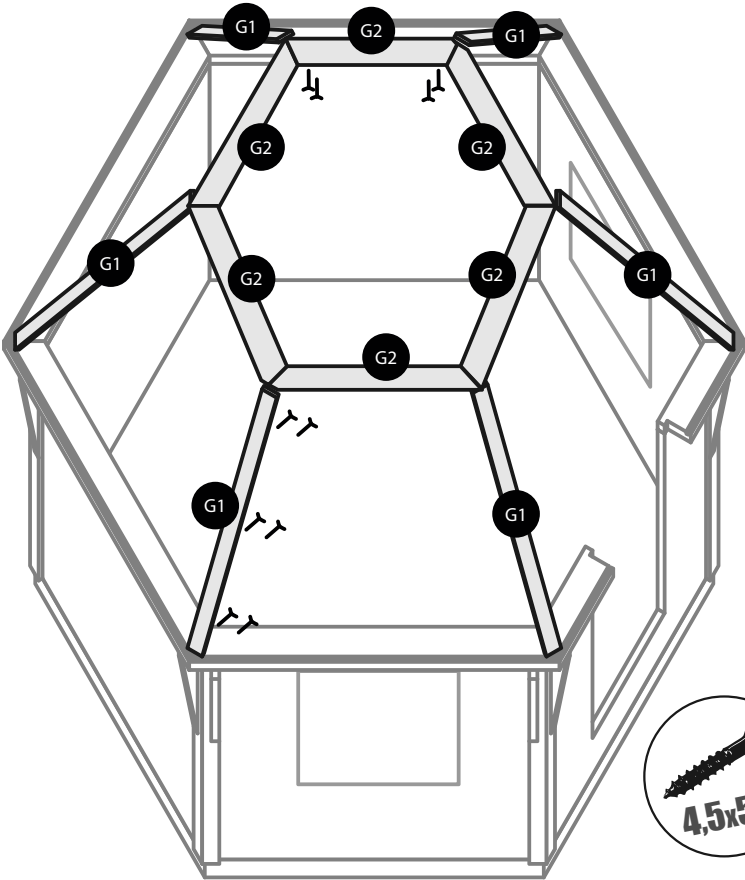


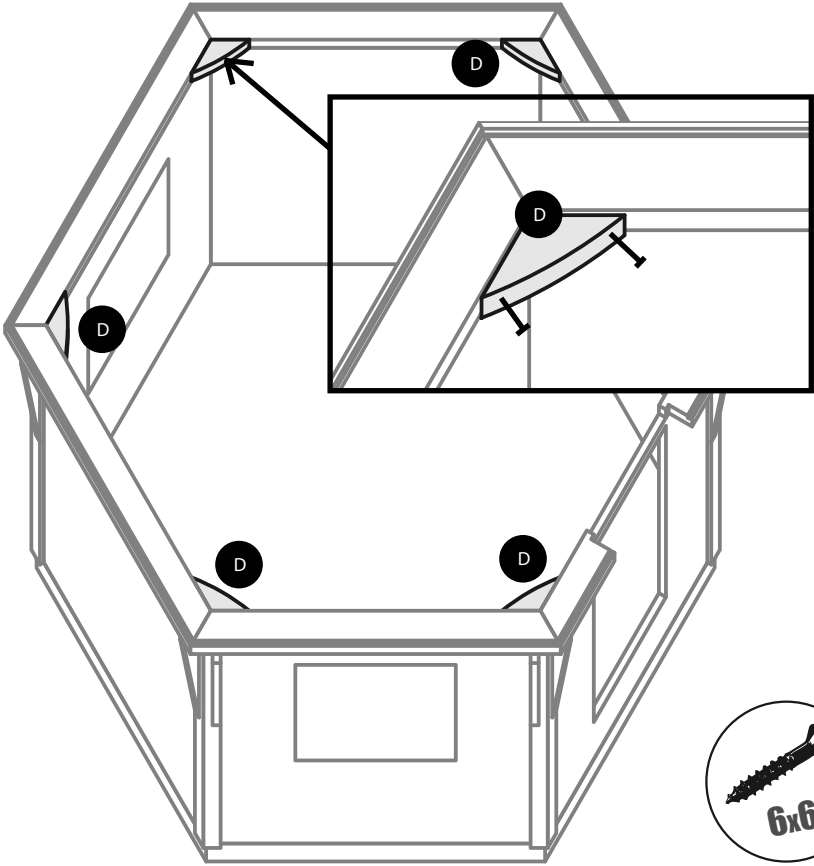


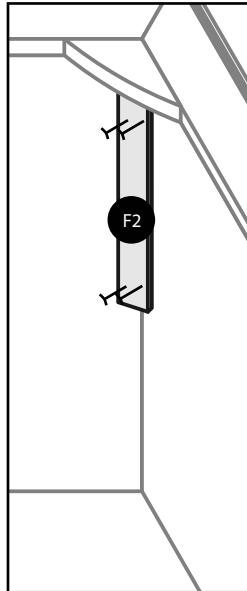
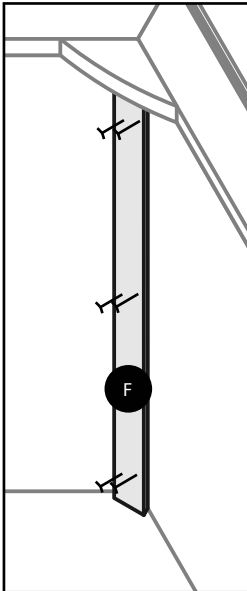
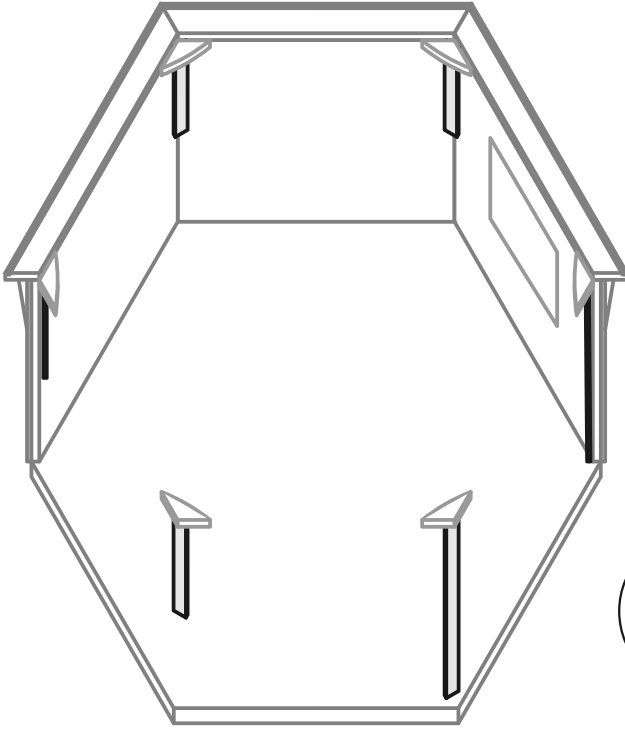
Attach the separation roof from the corners using 8 screws. Use a strip to attach the two pieces of the separation roof together.

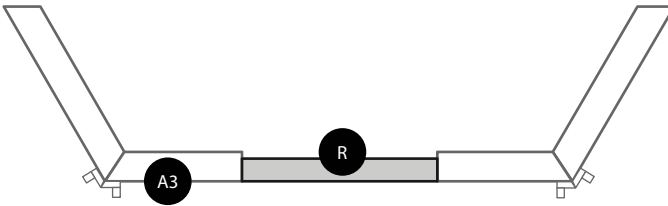
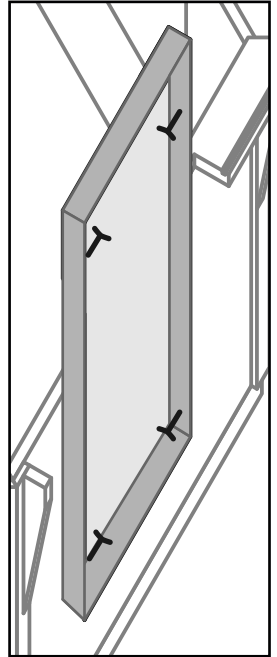
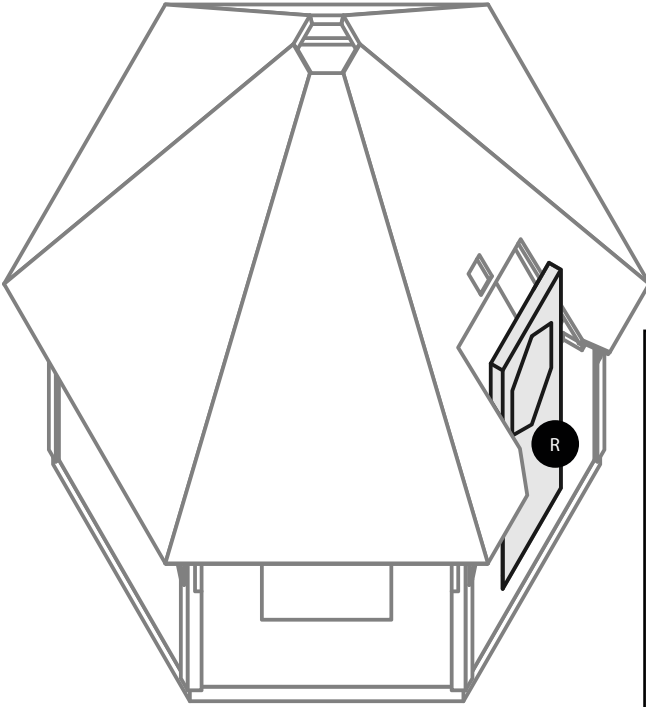


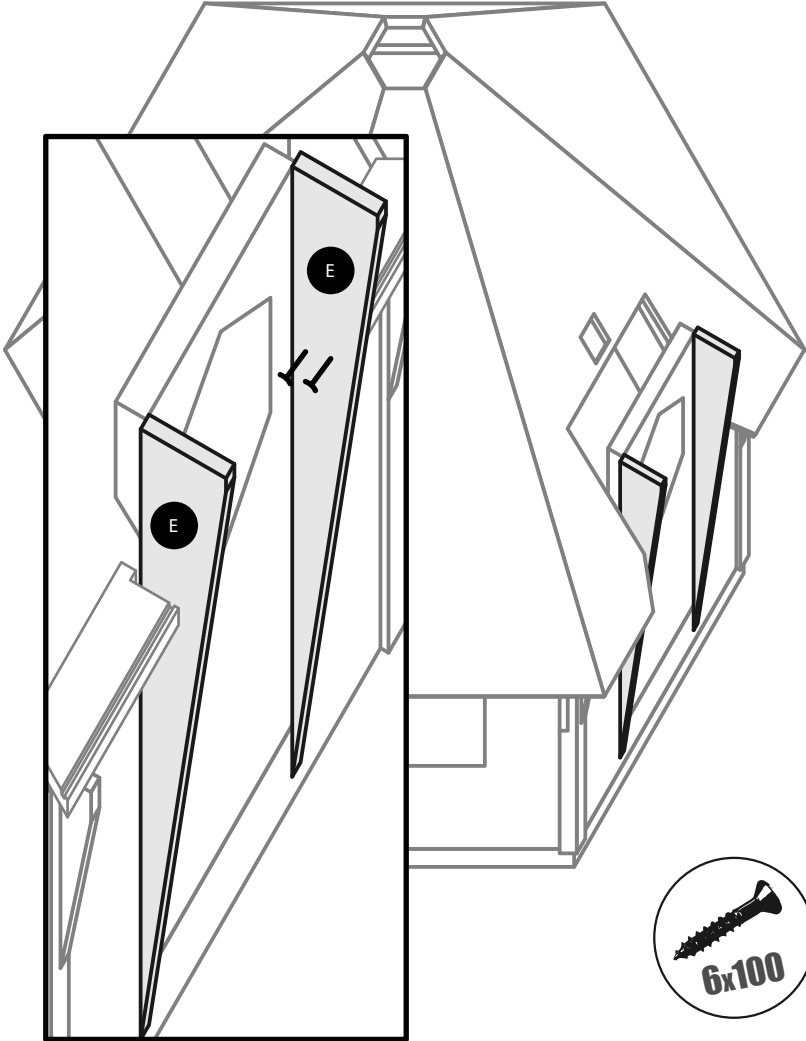
Attach the inner roof elements from the corners and the middle of the brim using 6 screws per element.

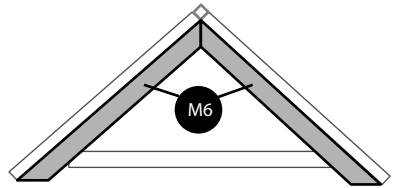
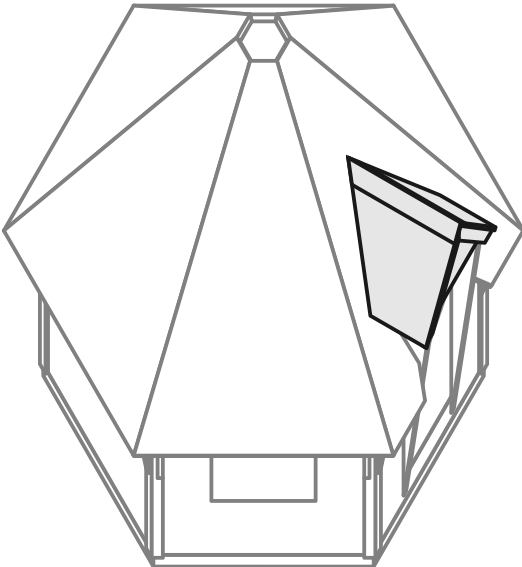
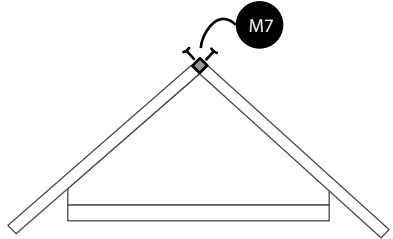
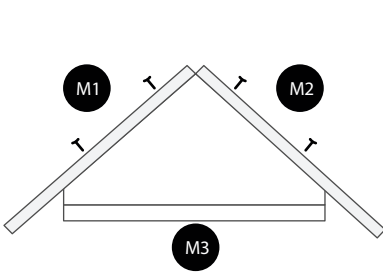
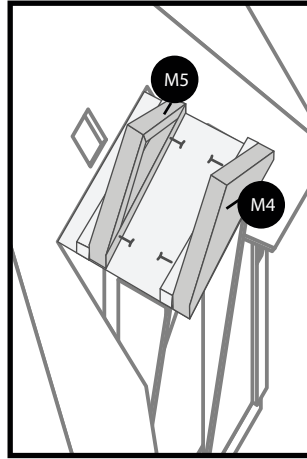
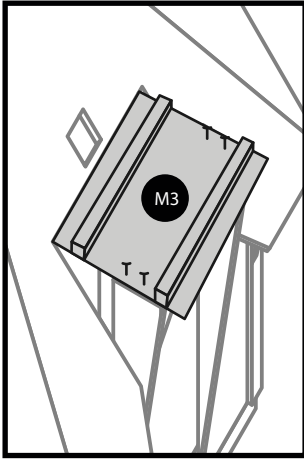


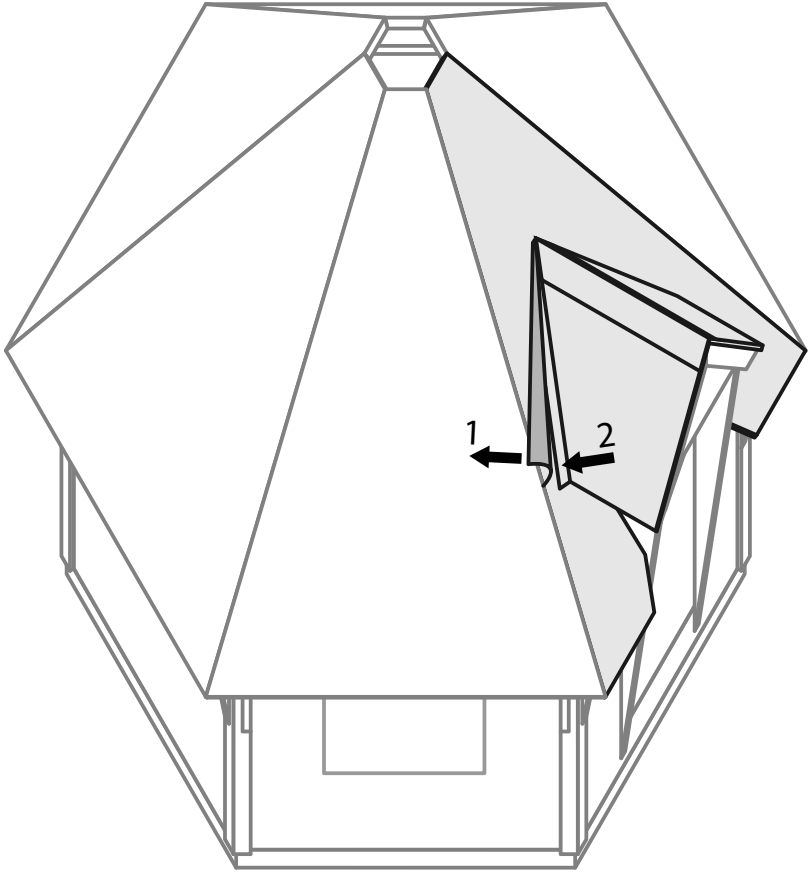


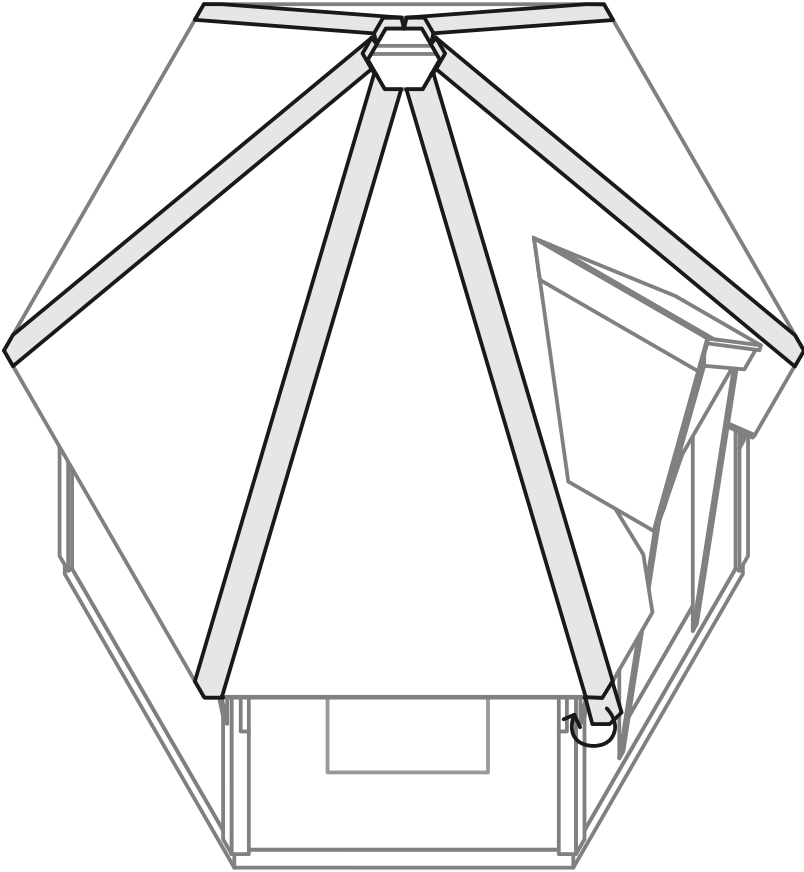




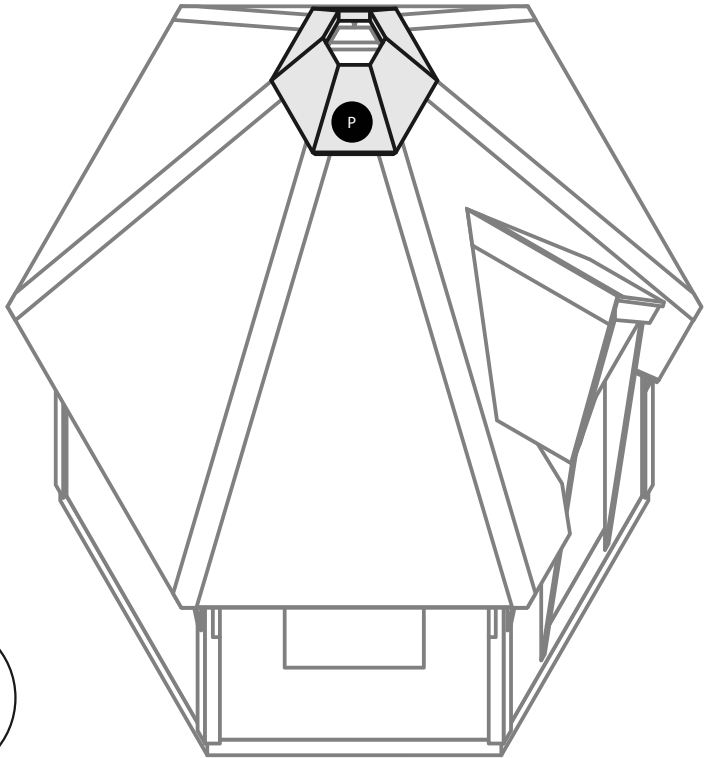
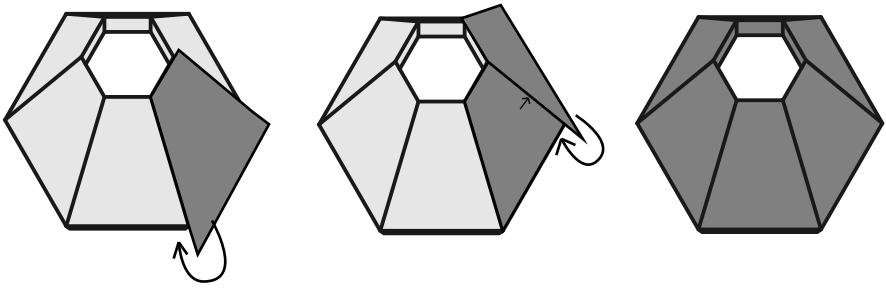




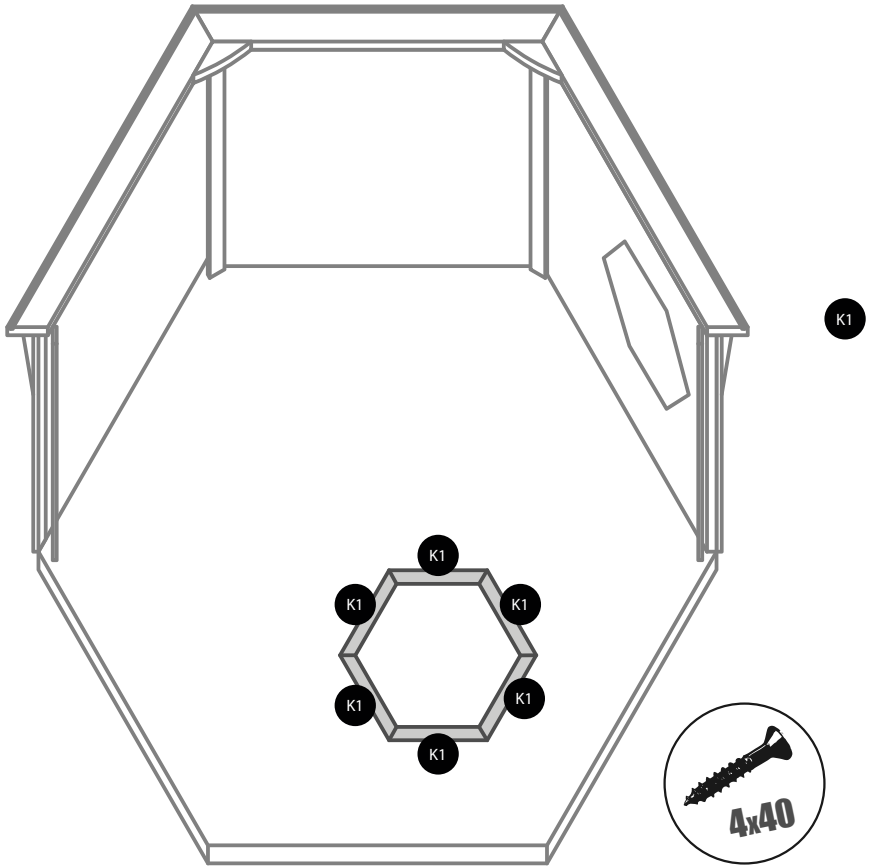




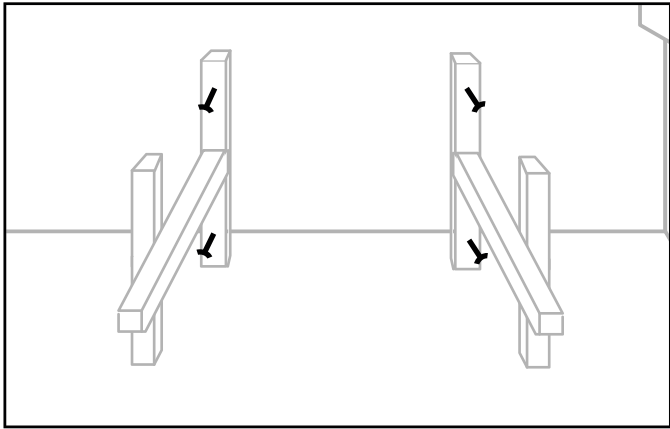
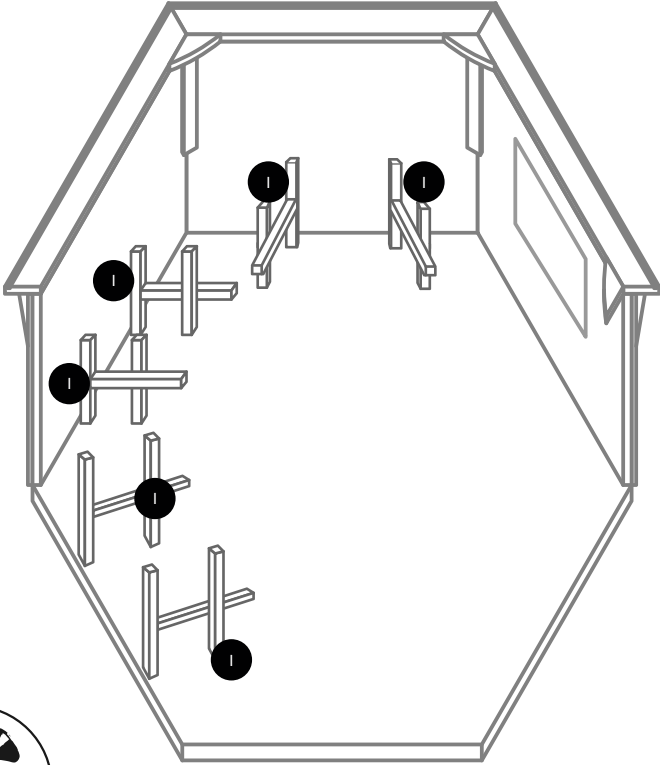
Attach peak plates to the connecting brims of the roof elements. Use felt nails. The lowest plate should be placed 7cm over the lower brim, flipped under the eaves and secured with nails.

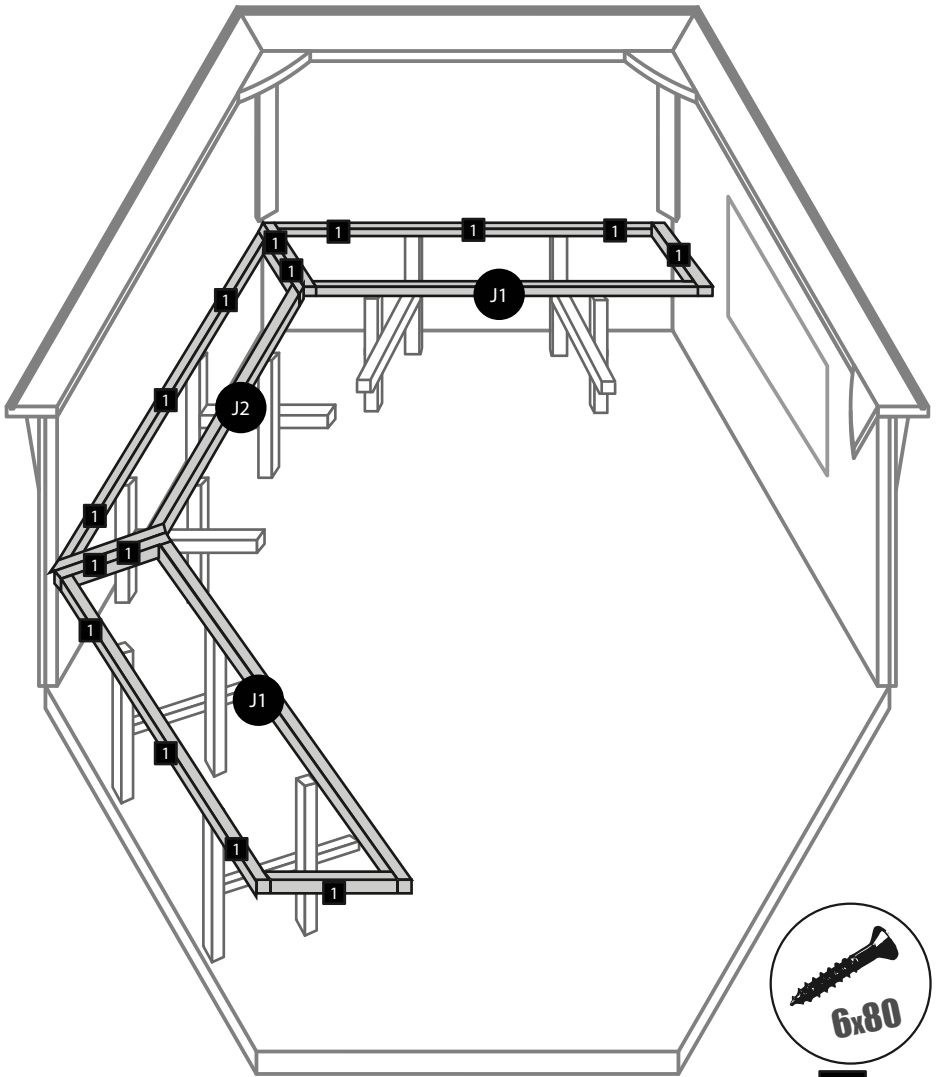


Attach the roof hat to the roof elements from below with 3 screws.

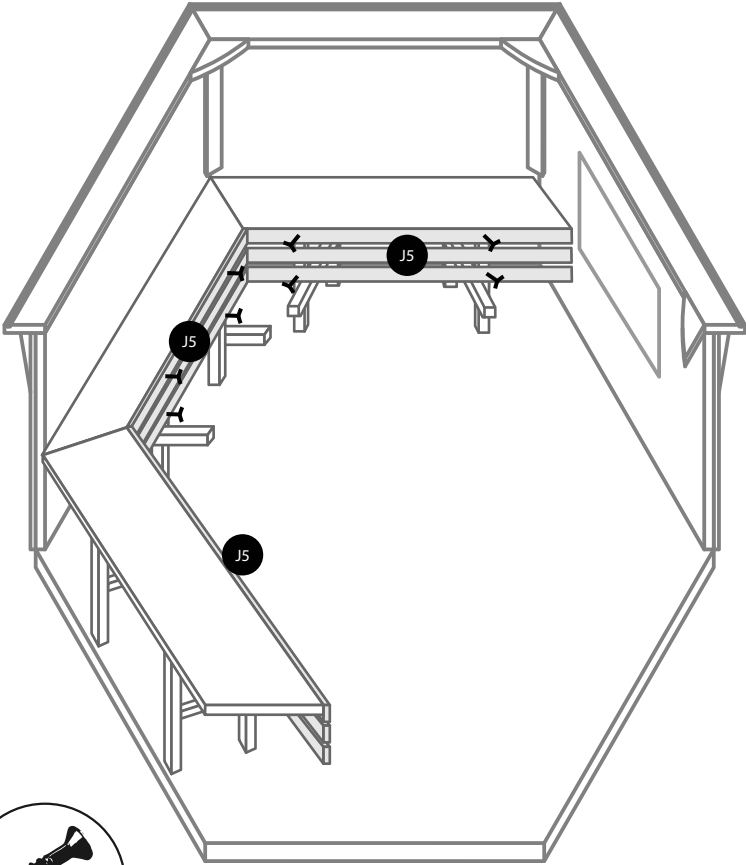


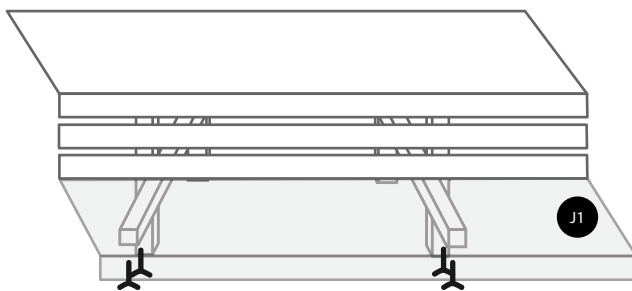
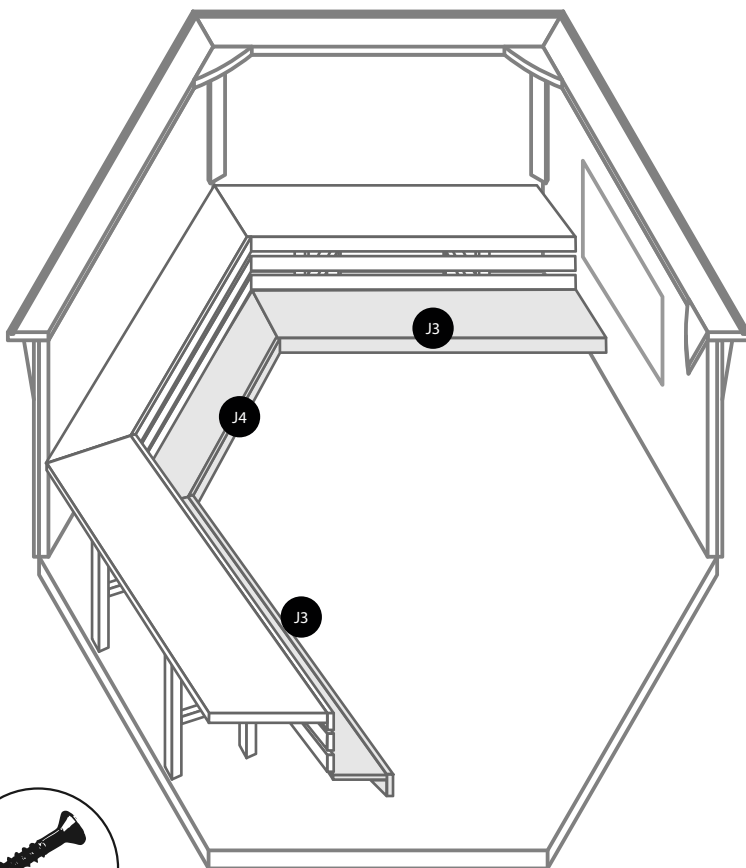
Attach the window strips inside the grillhouse. Strips are attached to the frame with ca 1.5cm overlay.

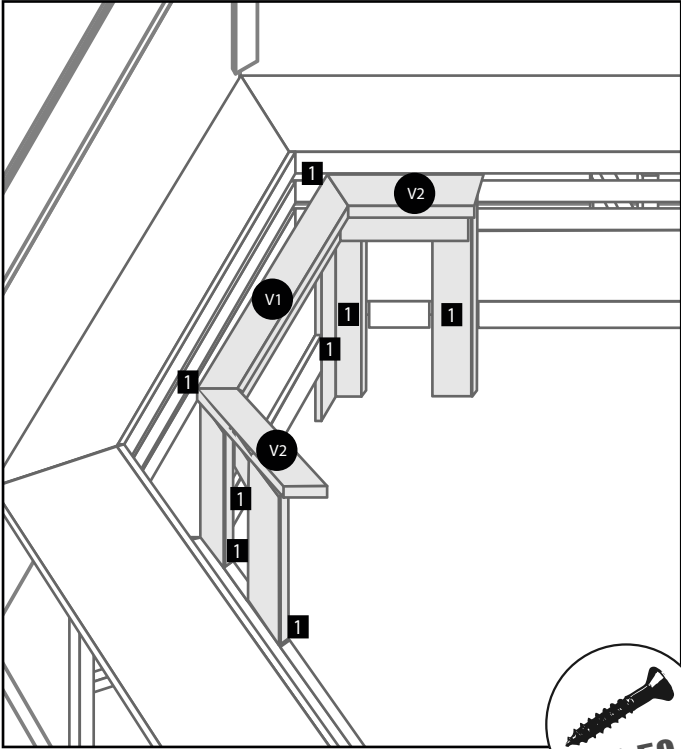




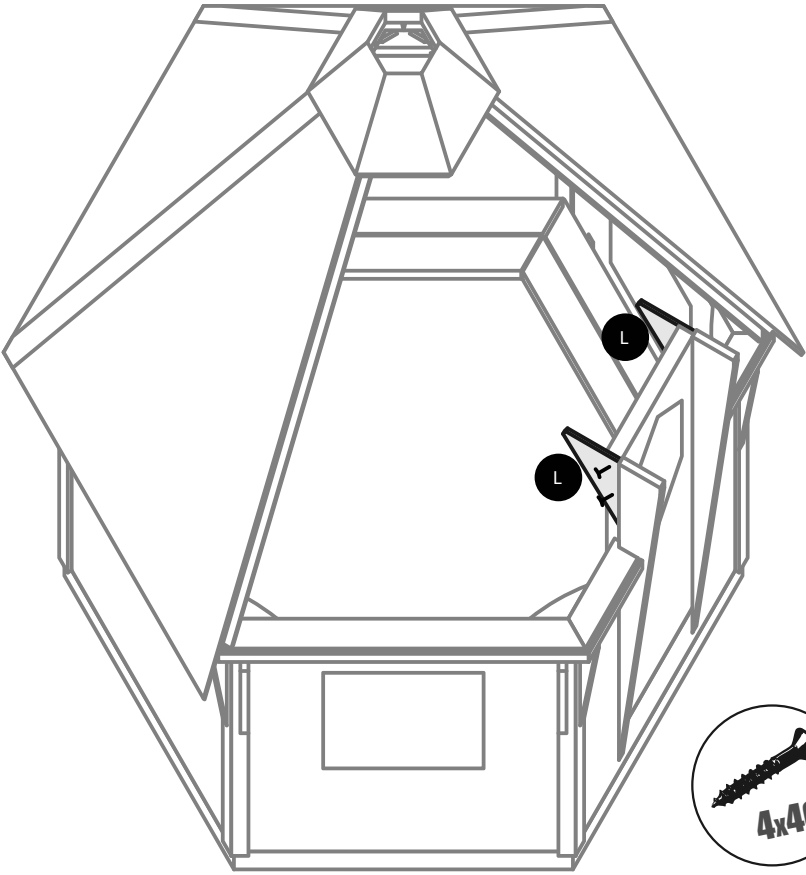
1

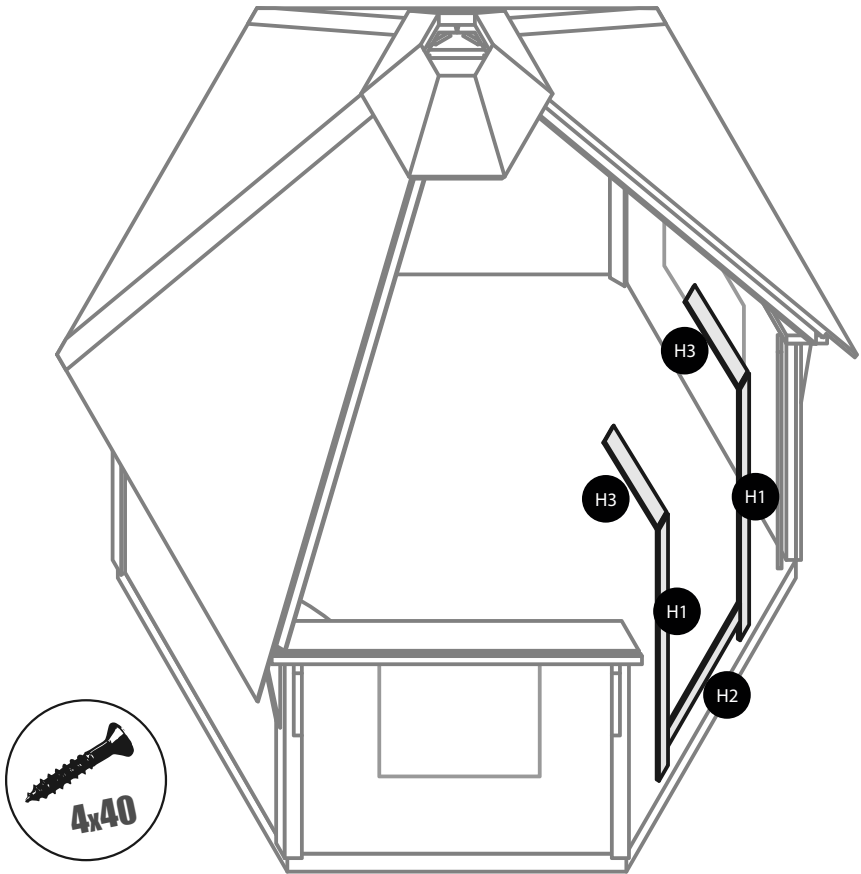






1





Attach door strips inside the grillhouse. The strips are attached to the door frame, wall element and roof element with 3 screws per detail.

Finally assemble the stove and chimney.