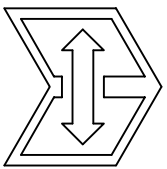
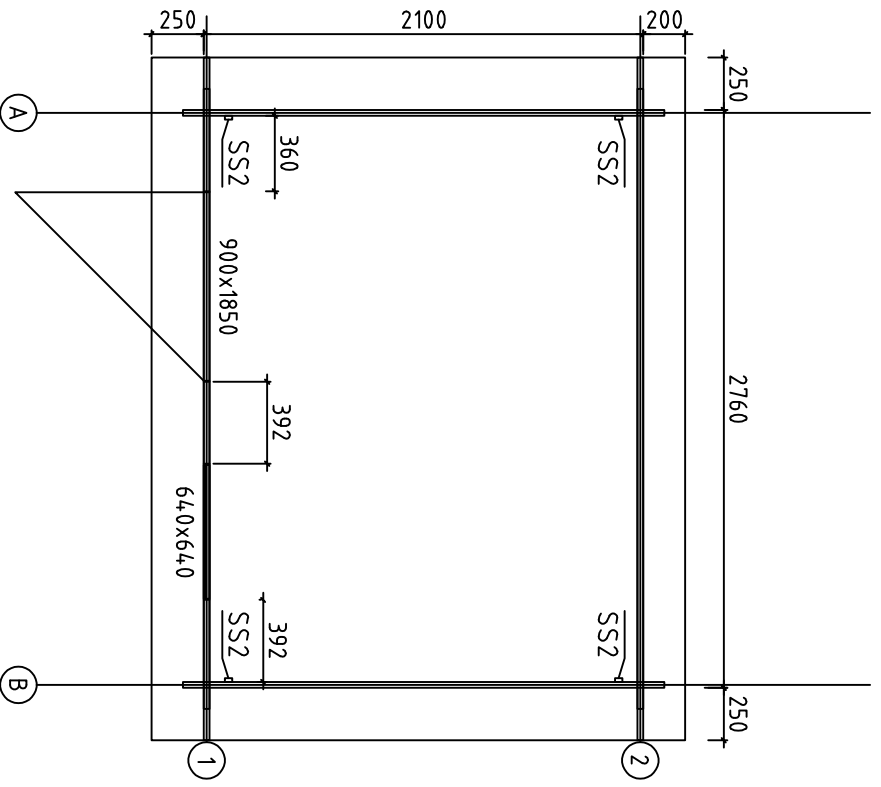


Date rev. Description

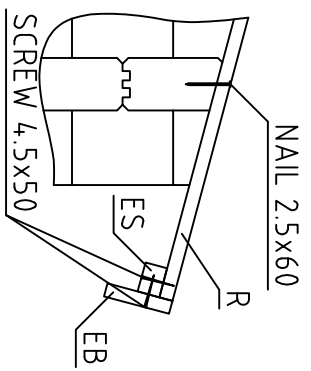
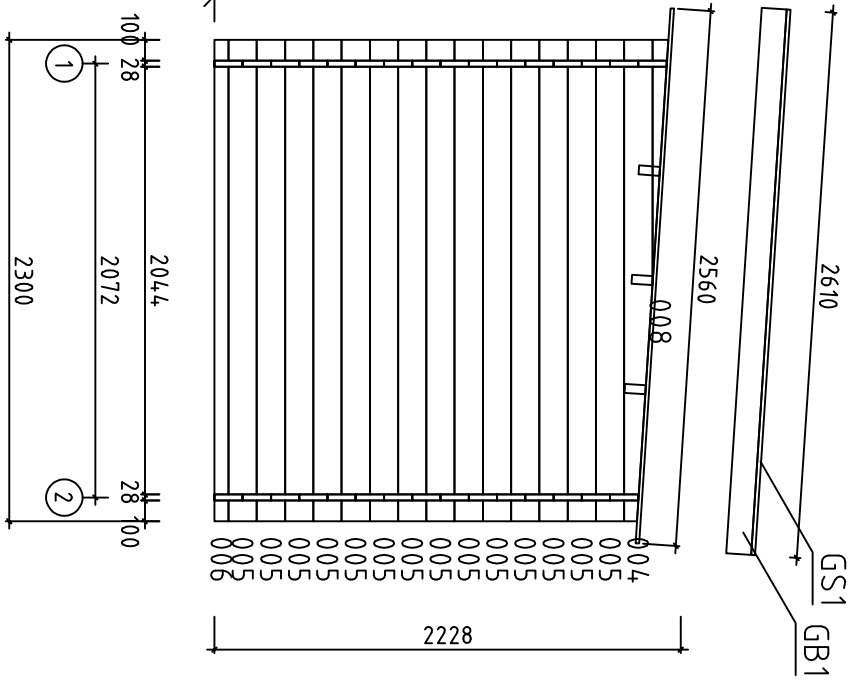
V 1.0

House	2813551	Sheet	1
Drawing	3D	Scale	
Material	28x135	Date	03.09.2025
Drawer	K.K.	File	2813551 3D.dwg

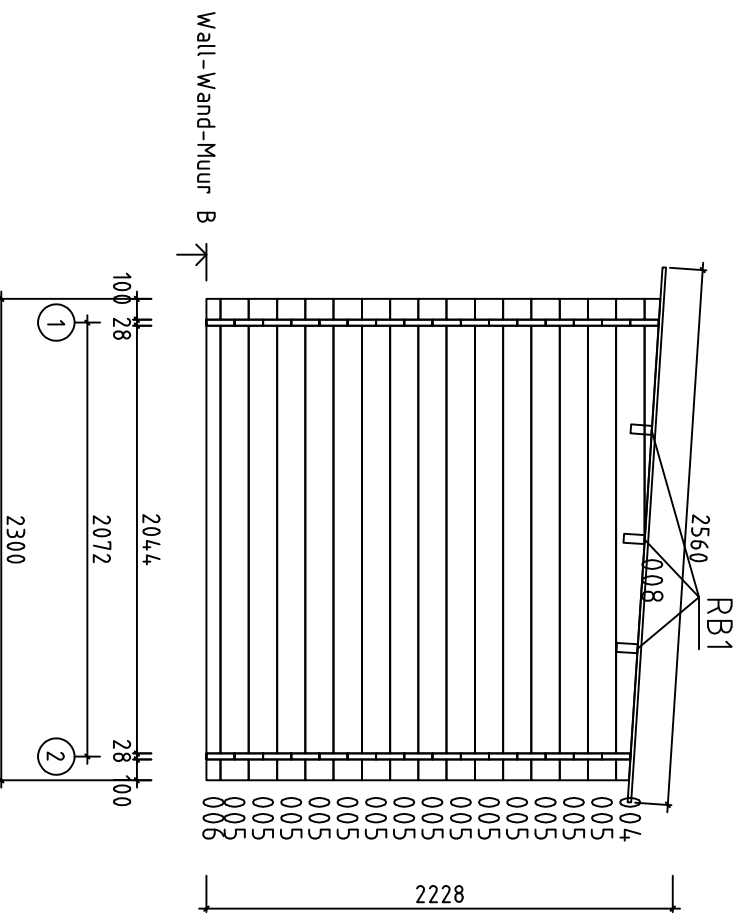


House	2813551	Sheet	2
Drawing	Plan	Scale	1:35
Material	28x135	Date	03.09.2025
Drawer	K.K.	File	2813551.dwg

Wall-Wand-Muur A ↗



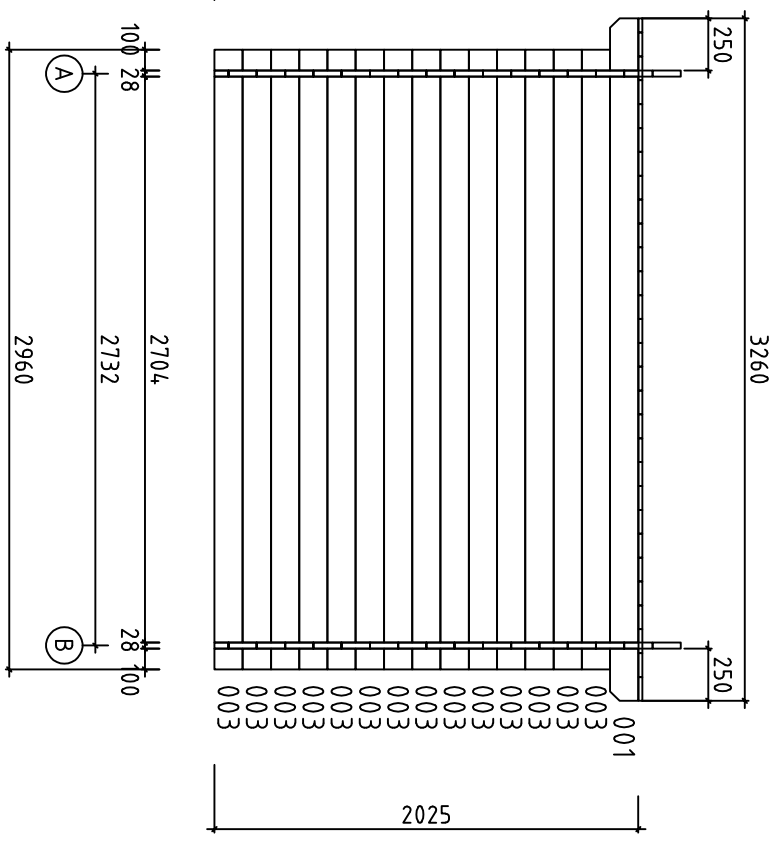
House	2813551	Sheet	3
Drawing	WALL-WAND-MUUR A	Scale	1:35
Material	2.8x13.5	Date	03.09.2025
Drawer	K.K.	File	2813551.dwg



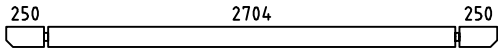
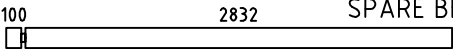
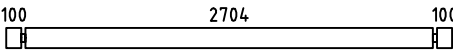
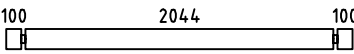
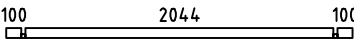
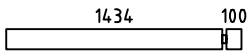
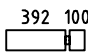
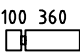
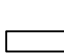
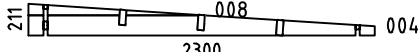
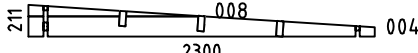

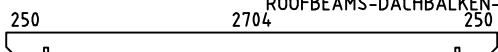

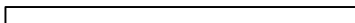









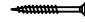
House	2813551	Sheet	4
Drawing	WALL - WAND - MUUR B	Scale	1:35
Material	2.8x13.5	Date	03.09.2025
Drawer	K.K.	File	2813551.dwg

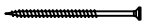
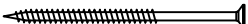
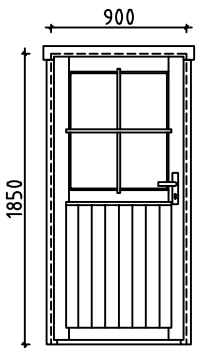
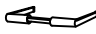



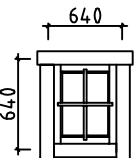

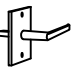



Wall-Wand-Muur 2 ↗



House	2813551	Sheet	6
Drawing	WALL-WAND-MUUR 2	Scale	1:35
Material	2.8x13.5	Date	03.09.2025
Drawer	K.K.	File	2813551.dwg

Pos	Specification-Bestimmung-Omschrijving 2813551	Pcs	Profile (mm)	L (mm)		
001	 PM	2	28x135	3260		
002	 SPARE BEAM-ERZATZBOHLE-VOORRAADPLANK	1	28x135	2960		
003	 15	15	28x135	2960		
005	 28	28	28x135	2300		
006	 2	2	28x68	2300		
007	 9	9	28x135	1562		
009	 5	5	28x135	520		
010	 14	14	28x135	488		
011	 5	5	28x135	392		
WA-1	 1	1	28x211	2300		
WB-1	 1	1	28x211	2300		
HB	HIT BLOCK-SCHLAGHÖLZER-BLAZENPLANK  2	2	28x135	300		
RB1	ROOFBEAMS-DACHBALKEN-DAKBALK  3	3	43x140	3260		
R1	ROOFBOARD-DACHBRETT-DAKPLANK  or-oder-of	38+1 29+1	18x88 18x114	2560		
GB1	GABLE BOARD-GIEBELBLENDE-GEVELPLANK  2	2	18x120	2610		
GS1	ROOF FELT FILLET-GIEBELLEISTE-GEVELLIJST  2	2	18x70	2600		
GS2	ROOF FELT FILLET-GIEBELLEISTE-GEVELLIJST  1	1	18x70	3260		
EB1	EAVE BOARD-TRAUFBRETT-AFDEKPLANK  2	2	18x90	3260		
ES1	EAVE SLAT-TRAUFFENLEISTE-AFDEKLIJST  2	2	30x40	3260		
SS1	STORM SLAT-STURMLEISTE-STORMLIJST  2	2	35x18	2050		
SS2	STORM SLAT-STURMLEISTE-STORMLIJST  2	2	35x18	1950		
	SCREWS-SCHRAUBEN-SCHROEF FOR-FÜR-VOOR SS1, SS2  12	12	ø6.0	45		
	WASHER-SCHEIBE-SCHIJF FOR-FÜR-VOOR SS1, SS2  12	12	ø6.0	18		
	NAIL-NAGEL-NAGEL FOR-FÜR-VOOR R1  200	200	ø2.5	60		
	SCREWS-SCHRAUBEN-SCHROEF FOR-FÜR-VOOR GB1, GS1, EB1, ES1  76	76	ø4.5	50		
Kood	2813551	Materjal	File	2813551.dwg	Leht	7

Pos	Specification-Bestimmung-Omschrijving 2813551	Pcs	Profile (mm)	L (mm)	
	SCREWS-SCHRAUBEN-VIS 2x006 FOR-FÜR-POUR		10	ø4.5	90
	SCREWS-SCHRAUBEN-SCHROEF FOR-FÜR-VOOR RB1		6	ø6.0	160
	DOOR-TÜR-DEUR (left-links-links) AST_PL 	V    	1 1 1 1	900	1850
	WINDOW-FENSTER-VENSTER 1 pcs-st (right-rechts-rechts)  Ast_KP	1 P.P.   	1 1 1 2	640	640
Kood	2813551	Materjal	File	2813551.dwg	Leht 8