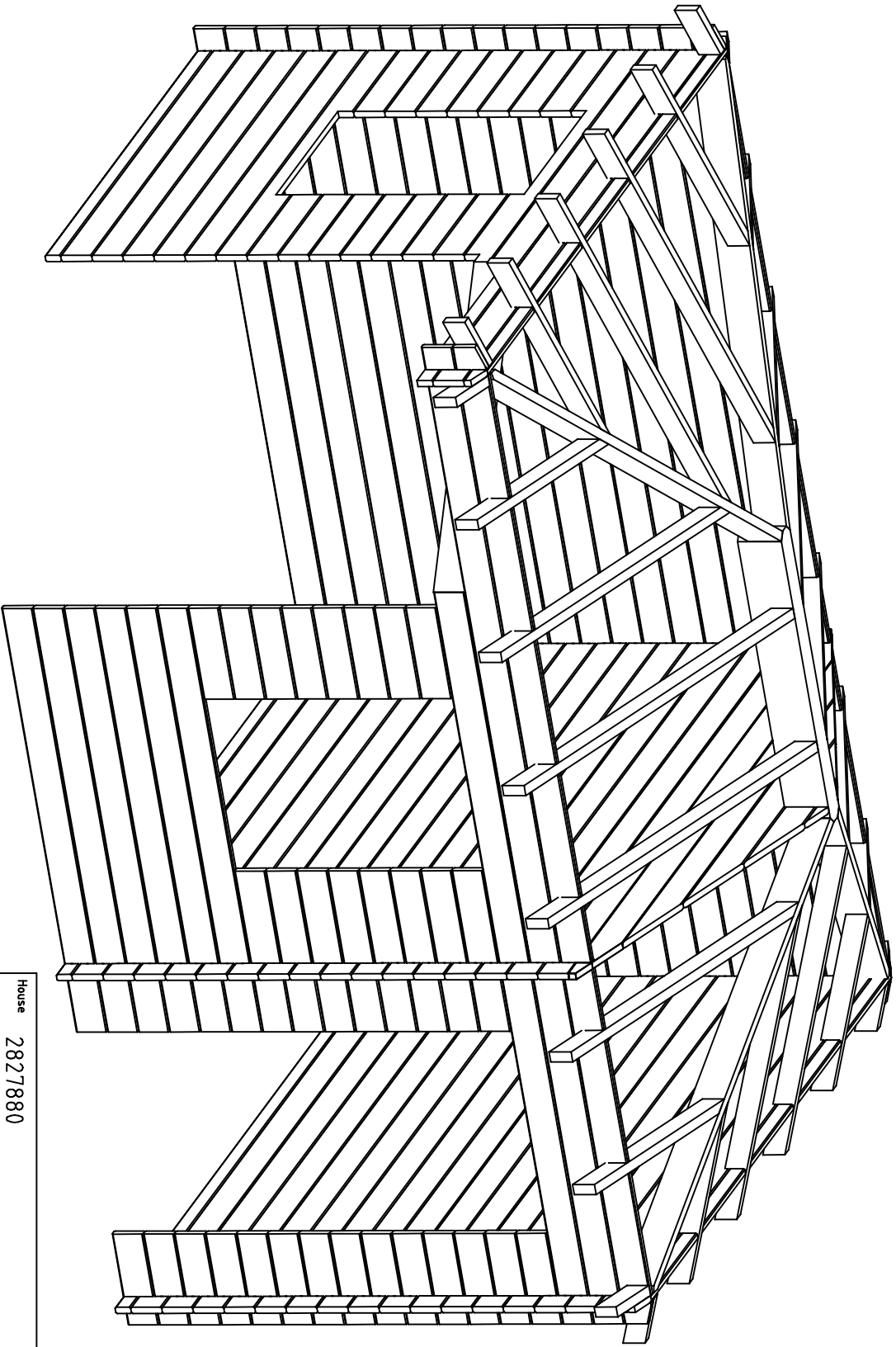


House	2827880	Sheet	1
Drawing	3D	Scale	
Material	28x135	Date	17.11.2023
Drawer	RP	File	2827880_3D.dwg

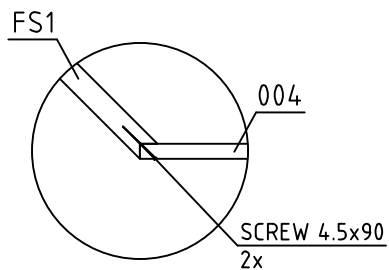
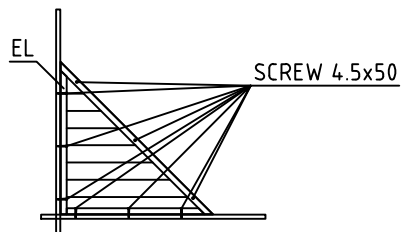
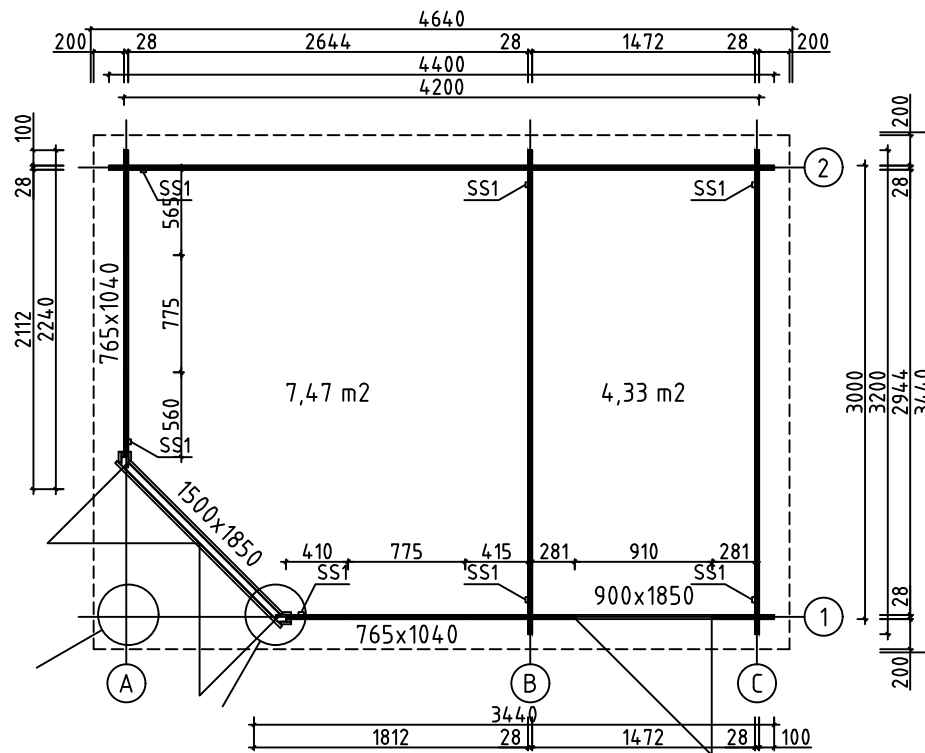


House	2827880	Sheet	2
-------	---------	-------	---

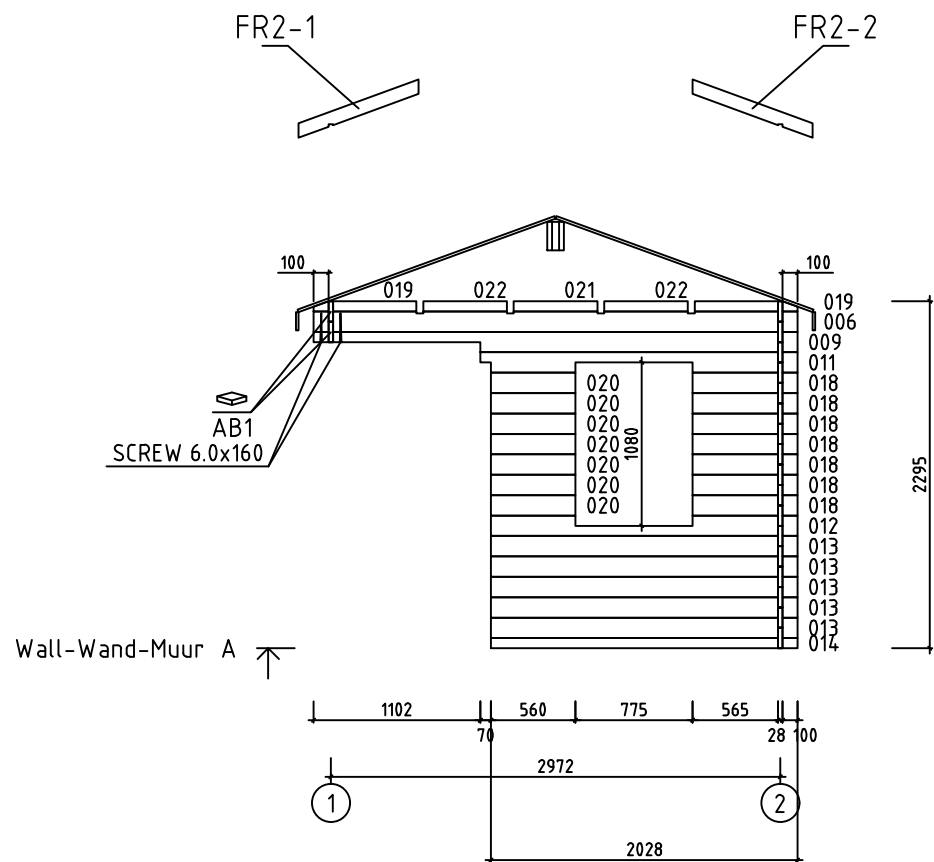
Drawing	3D	Scale	
---------	----	-------	--

Material	28x135	Date	17.11.2023
----------	--------	------	------------

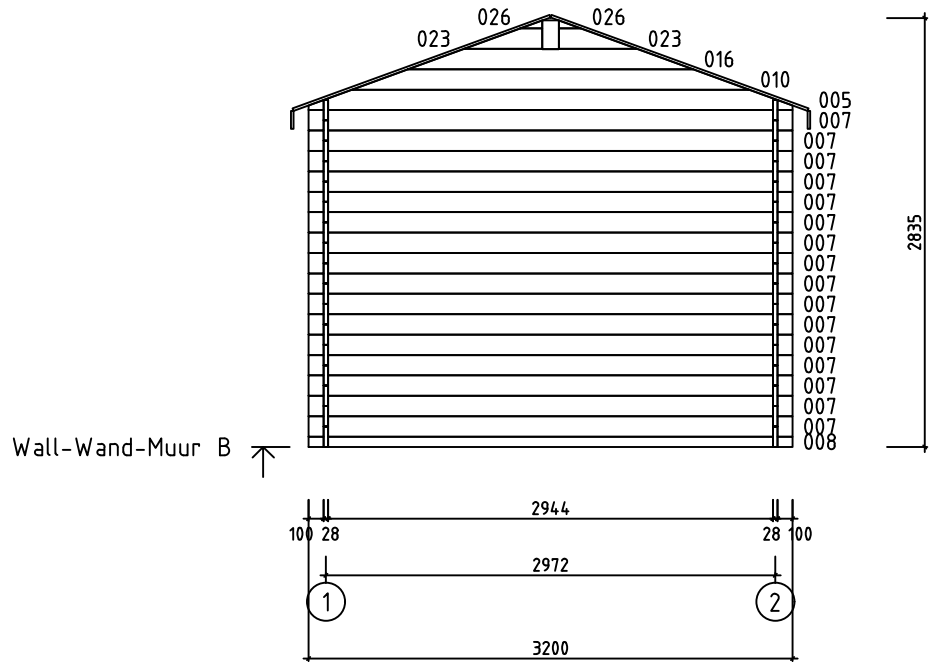
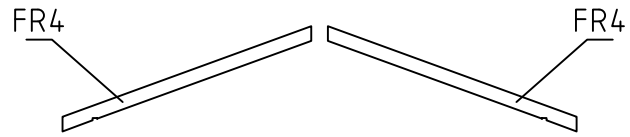
Drawer	RP	File	2827880_3D.dwg
--------	----	------	----------------



House	2827880	Sheet	3
Drawing	GRUNDPLAN-GRUNDPLAN-PLAN	Scale	1:50
Material	28x135	Date	17.11.2023
Drawer	RP	File	2827880.dwg

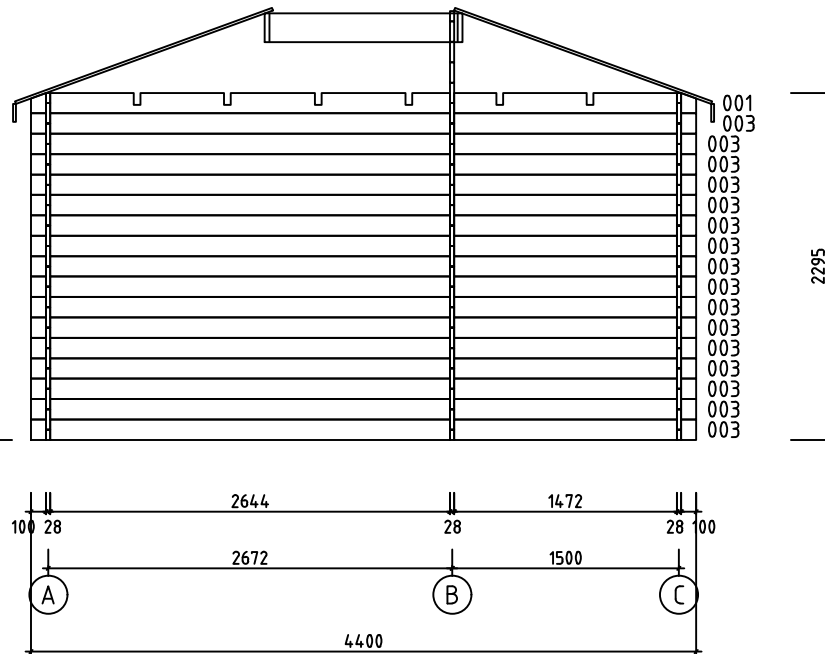


House	2827880	Sheet	6
Drawing	WALL-WAND-MUUR A	Scale	1:50
Material	28x135	Date	17.11.2023
Drawer	RP	File	2827880.dwg



House	2827880	Sheet	7
Drawing	WALL-WAND-MUUR B	Scale	1:50
Material	28x135	Date	17.11.2023
Drawer	RP	File	2827880.dwg

Wall-Wand-Muur 2 ↗



House	2827880	Sheet	10
Drawing	WALL-WAND-MUUR 2	Scale	1:50
Material	28x135	Date	17.11.2023
Drawer	RP	File	2827880.dwg