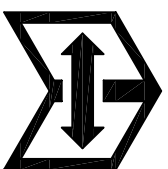
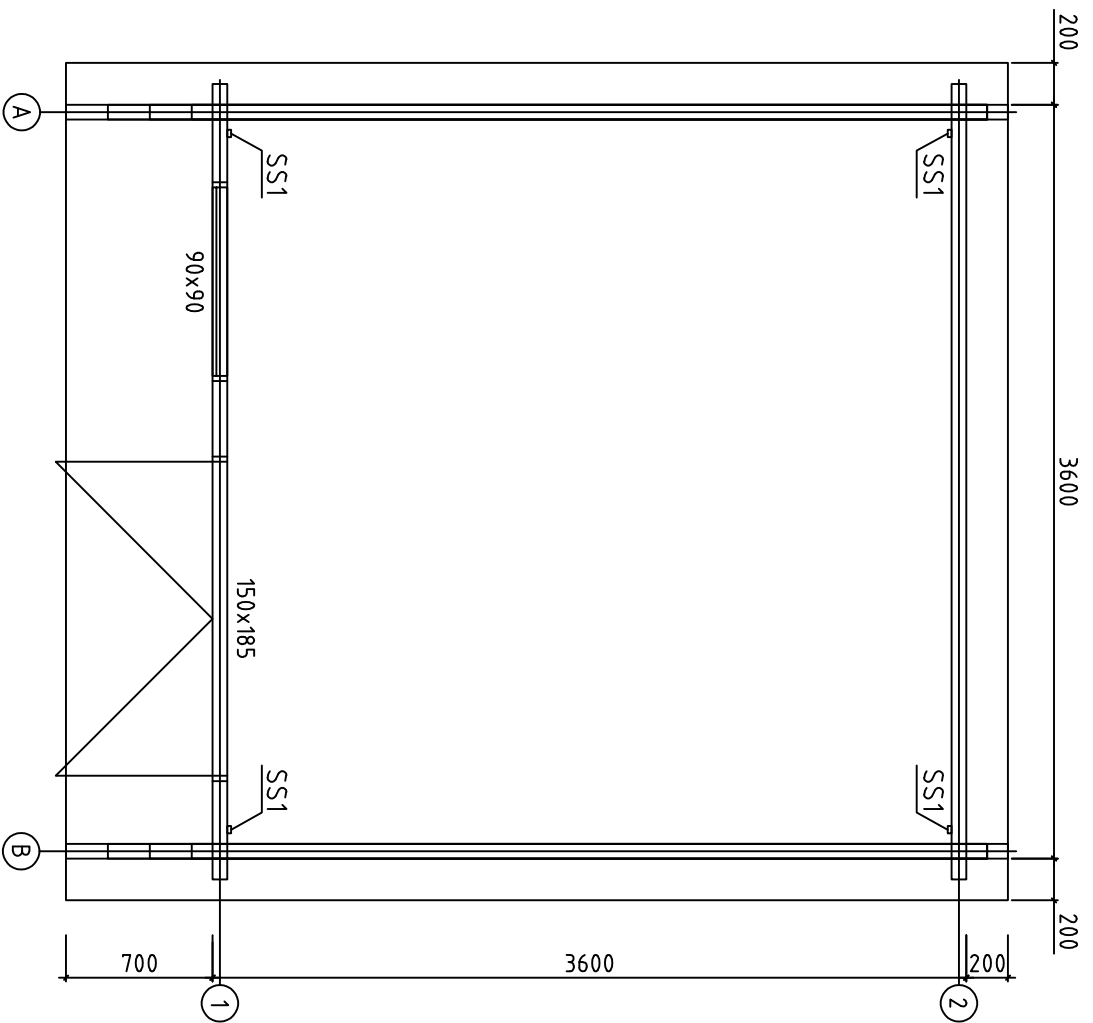


Date rev. Description

V 1.0

|          |                    |       |                           |
|----------|--------------------|-------|---------------------------|
| House    | 7052581 Berlin 70C | Sheet | 1                         |
| Drawing  | 3D                 | Scale |                           |
| Material | 70x135             | Date  | 22.11.2024                |
| Drawer   | K.K.               | File  | 7052581 Berlin 70C 3D.dwg |



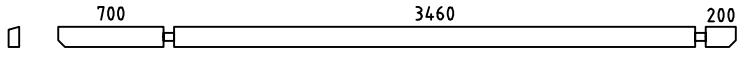
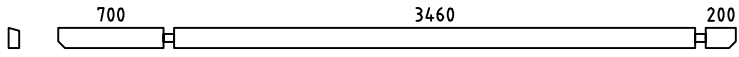
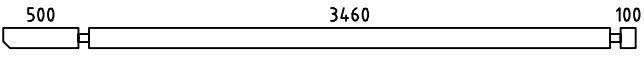
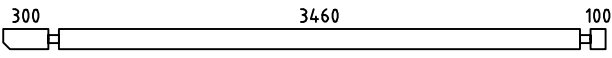
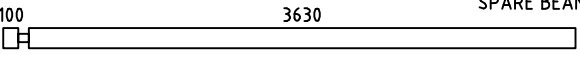
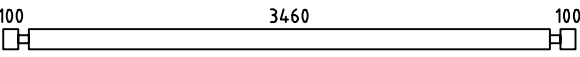
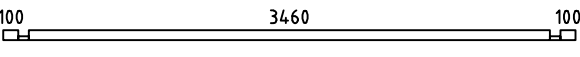
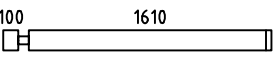
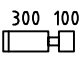
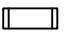
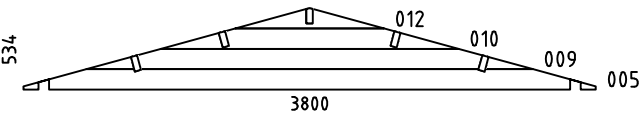
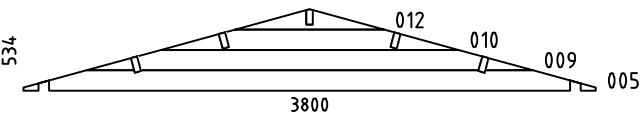

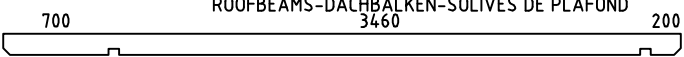
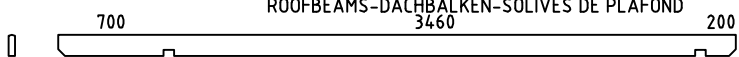

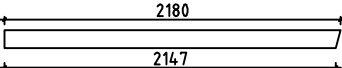






|            |                    |          |                        |
|------------|--------------------|----------|------------------------|
| Kood       | 7052581 Berlin 70C | Leht     | 2                      |
| Joonis     | Plan               | Mootkava | 1:35                   |
| Materjal   | 70x135             | Kuup.    | 22.11.2024             |
| Joonestaja | K.K.               | File     | 7052581 Berlin 70C.DWG |





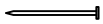


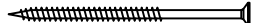
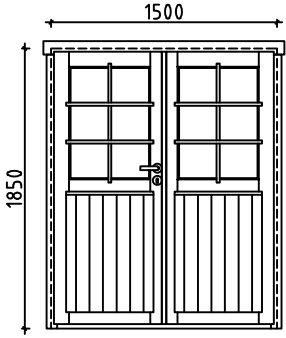





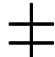
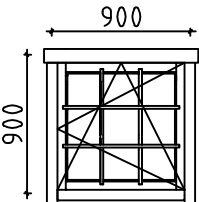

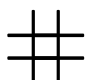









| Pos  | Specification-Bestimmung-Omschrijving<br>7052581 Berlin 70C   | Pcs           | Profile<br>(mm) | L<br>(mm)              |      |   |
|------|---|---------------|-----------------|------------------------|------|---|
| 001  |   | 1             | 70x135          | 4500                   |      |   |
| 002  |   | 1             | 70x135          | 4500                   |      |   |
| 003  |    | 2             | 70x135          | 4200                   |      |   |
| 004  |    | 2             | 70x135          | 4000                   |      |   |
| 006  |  SPARE BEAM-ERZATZBOHLE-MADRIER DE RÉSERVE   | 1             | 70x135          | 3800                   |      |   |
| 007  |    | 36            | 70x135          | 3800                   |      |   |
| 008  |    | 2             | 70x68           | 3800                   |      |   |
| 011  |    | 7             | 70x135          | 1780                   |      |   |
| 013  |    | 21            | 70x135          | 470                    |      |   |
| 014  |    | 7             | 70x135          | 360                    |      |   |
| W1-1 |    | 1             | 70x534          | 3800                   |      |   |
| W2-1 |   | 1             | 70x534          | 3800                   |      |   |
| HB   | HIT BLOCK-SCHLAGHÖLZER-MADRIERS D'ASSEMBLAGE   | 2             | 70x135          | 300                    |      |   |
| RB1  |  ROOFBEAMS-DACHBALKEN-SOLIVES DE PLAFOND  | 4             | 43x140          | 4500                   |      |   |
| RB2  |  ROOFBEAMS-DACHBALKEN-SOLIVES DE PLAFOND  | 1             | 43x140          | 4500                   |      |   |
| R1   | ROOFBOARD-DACHBRETT-VOLIGES  or-oder-ou   | 80+2<br>104+2 | 18x114<br>18x88 | 2080                   |      |   |
| GB1  | GABLE BOARD-GIEBELBLENDE-PLANCHE DE RIVE    | 4             | 18x120          | 2180                   |      |   |
| GS1  | ROOF FELT FILLET-GIEBELLEISTE-BAGUETTES POUR FIXER LES PLANCHES DE RIVE                | 4             | 18x70           | 2180                   |      |   |
| EB1  | EAVE BOARD-TRAUFBRETT-LATTES SOUS VOLIGES    | 2             | 18x90           | 4500                   |      |   |
| ES1  | EAVE SLAT-TRAUFENLEISTE-BAGUETTES POUR FIXER LES LATTES SOUS VOLIGES                   | 4             | 30x40           | 2250                   |      |   |
| DB1  | DIAMOND-RAUTE-ÉLÉMENTS DE DÉCORATION   | 2             | 18x90           | 200                    |      |   |
| DT1  | DOOR ASSEMBLING PROFILE-TÜR INSTALLIERUNGSPROFIL<br>-DEUR INSTALLATIE PROFIL           | 2             | 70x43           | 1850                   |      |   |
| WT1  | WINDOW ASSEMBLING PROFILE-FENSTER INSTALLIERUNGSPROFIL<br>-VENSTER INSTALLATIE PROFIL  | 2             | 70x43           | 900                    |      |   |
| Kood | 7052581 Berlin 70C  | Materjal      | File            | 7052581 Berlin 70C.DWG | Leht | 7 |

| Pos | Specification-Bestimmung-Omschrijving<br>7052581 Berlin 70C  | Pcs | Profile<br>(mm) | L<br>(mm) |      |
|-----|--|-----|-----------------|-----------|------|
| SS1 | STORM SLAT-STURMLEISTE<br>-BAGUETTE DE TEMPETE                 | 4   | 18x35           | 1860      |      |
|     | SCREWS-SCHRAUBEN-VISSER<br>FOR-FÜR-POUR SS1                   | 12  | M8              | 100       |      |
|     | WASHER-SCHEIBE-RONDELLE<br>FOR-FÜR-POUR SS1                   | 12  | M8              |           |      |
|     | NUT-NUSS-ÉCROU<br>FOR-FÜR-POUR SS1                            | 12  | M8              |           |      |
|     | NAIL-NAGEL-CLOUS<br>FOR-FÜR-POUR R1                           | 420 | ∅2.5            | 60        |      |
|     | SCREWS-SCHRAUBEN-VIS<br>FOR-FÜR-POUR GB1, GS1, EB1, ES1, DB1  | 80  | ∅4.5            | 50        |      |
|     | SCREWS-SCHRAUBEN-VIS<br>FOR-FÜR-POUR 008                      | 26  | ∅4.5            | 90        |      |
|     | SCREWS-SCHRAUBEN-VIS<br>FOR-FÜR-POUR RB1, RB2<br>WA-1, WB-1    | 14  | ∅6.0            | 160       |      |
|     |  |     |                 |           |      |
|     | DOUBLEDOOR-DOPPELTÜR-DUBBELE DEUR (left-links-links) AST_PRE   | V   | 1               | 1500      | 1850 |
|     |   | 1   |                 |           |      |
|     |   | 1   |                 |           |      |
|     |   | 1   |                 |           |      |
|     |   | 1   |                 |           |      |
|     |   | 6   |                 |           |      |
|     |   | 2   |                 |           |      |
|     | WINDOW-FENSTER-VENSTER (right-rechts-rechts) AST_PRE          | P   | 1               | 900       | 900  |
|     |   | 1   |                 |           |      |
|     |   | 1   |                 |           |      |
|     |   | 1   |                 |           |      |