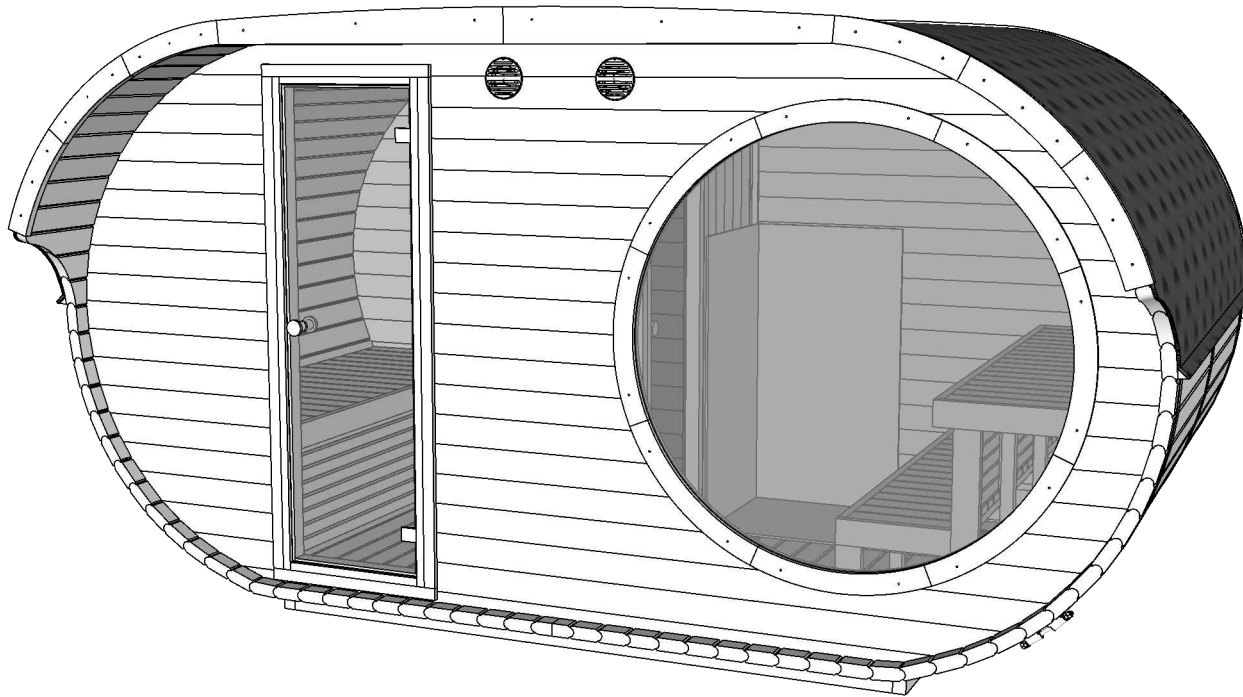


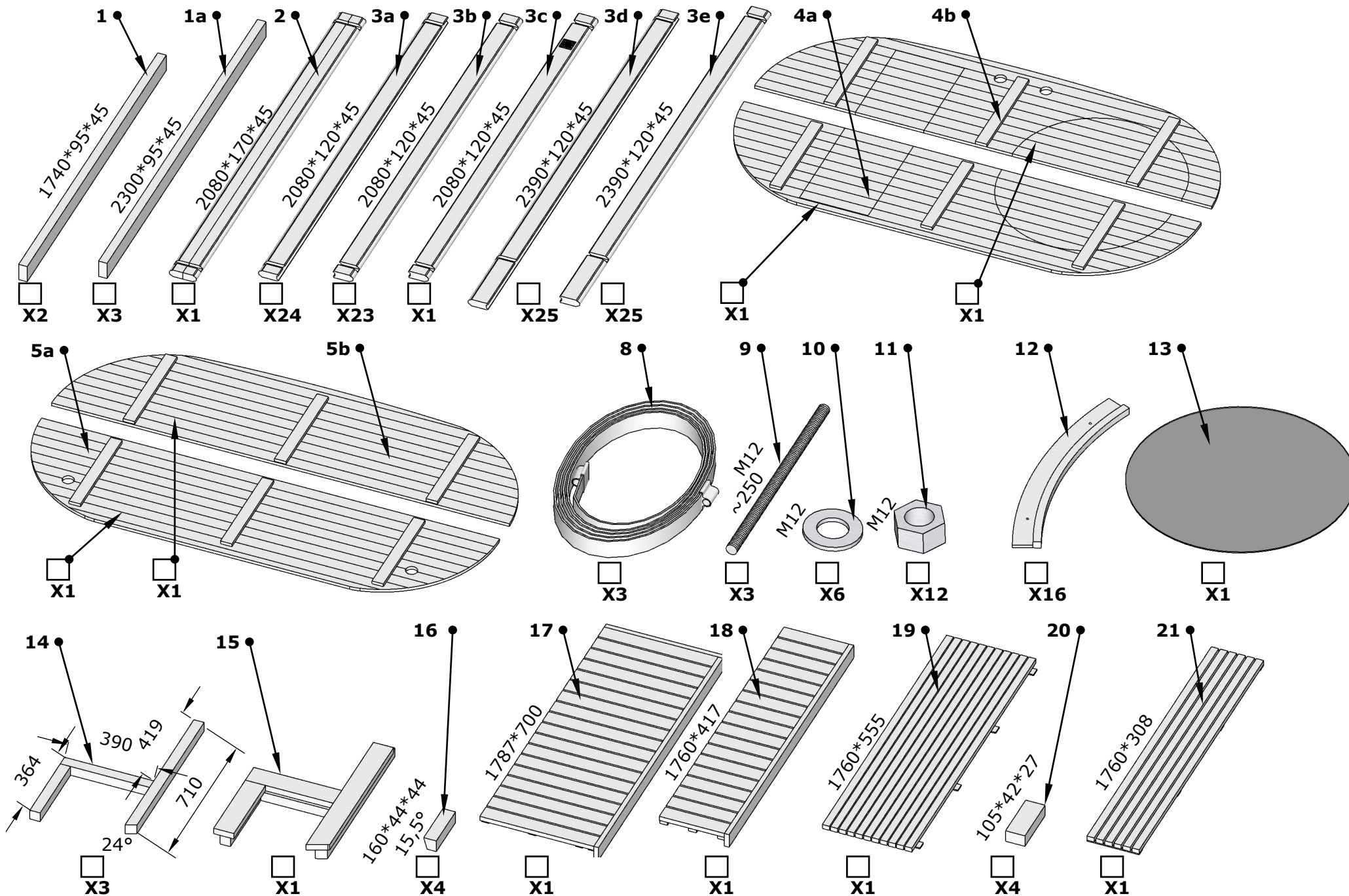
Raiki

**Please read whole manual before You start.
All given measurements are in millimeters.**



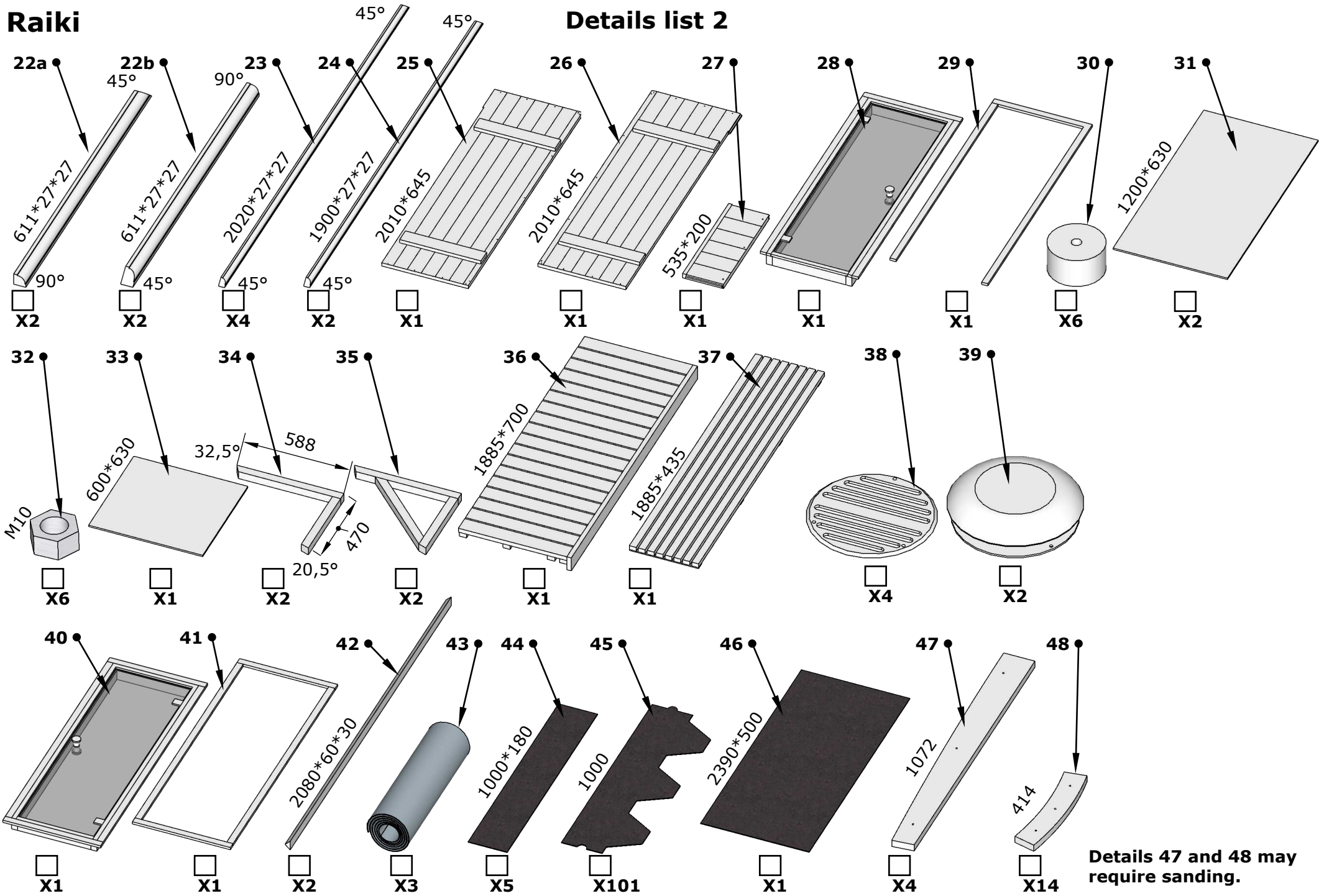
Raiki

Details list 1



Raiki

Details list 2



Details 47 and 48 may require sanding.

Raiki

Details list 3



X1



X1



Z
~ 1,2kg



A
3,9*13



B
3*30



C
4*40 (nano)



M
4,5*50 (nano)



D
4,5*60 (nano)



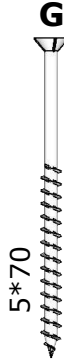
K
5*30 (stainless)



Q
5*60 (stainless)



F
5*60



G
5*70



H
5*80

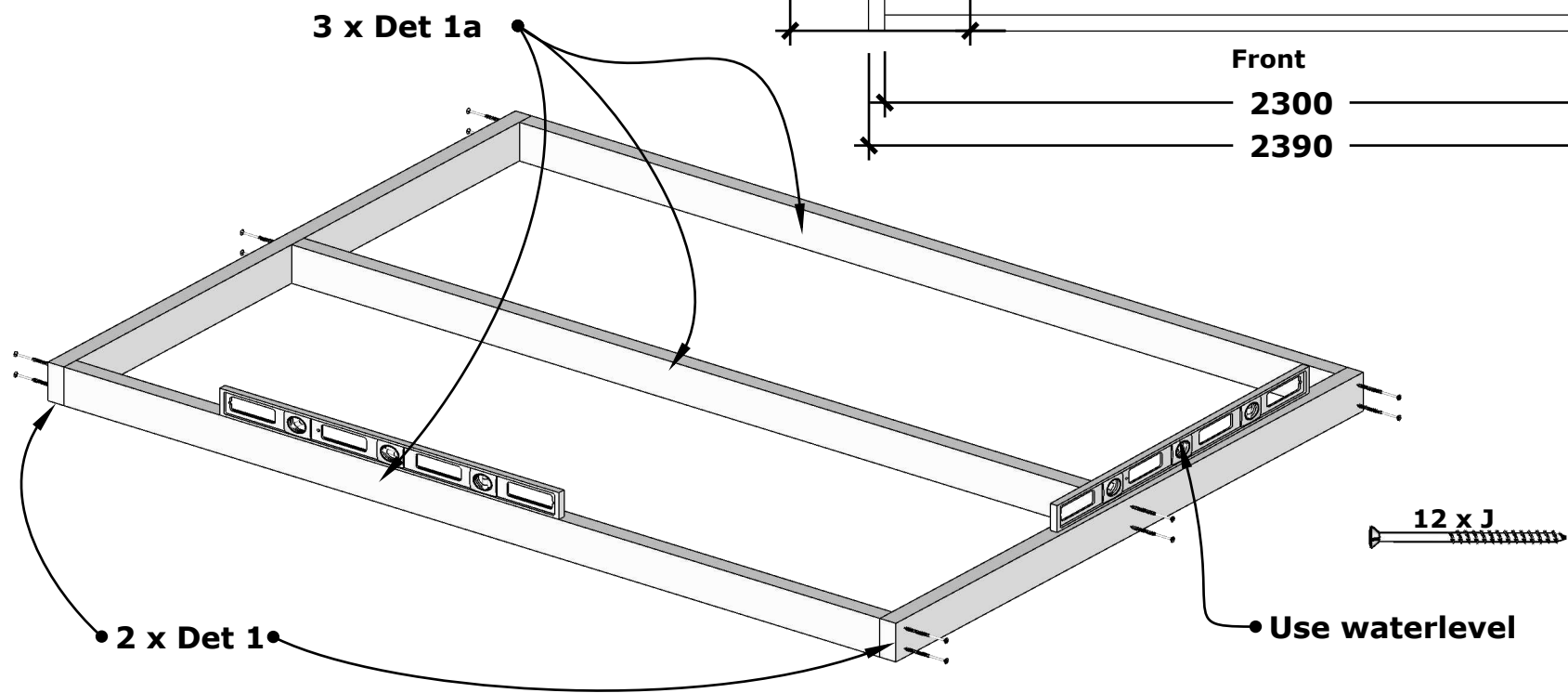
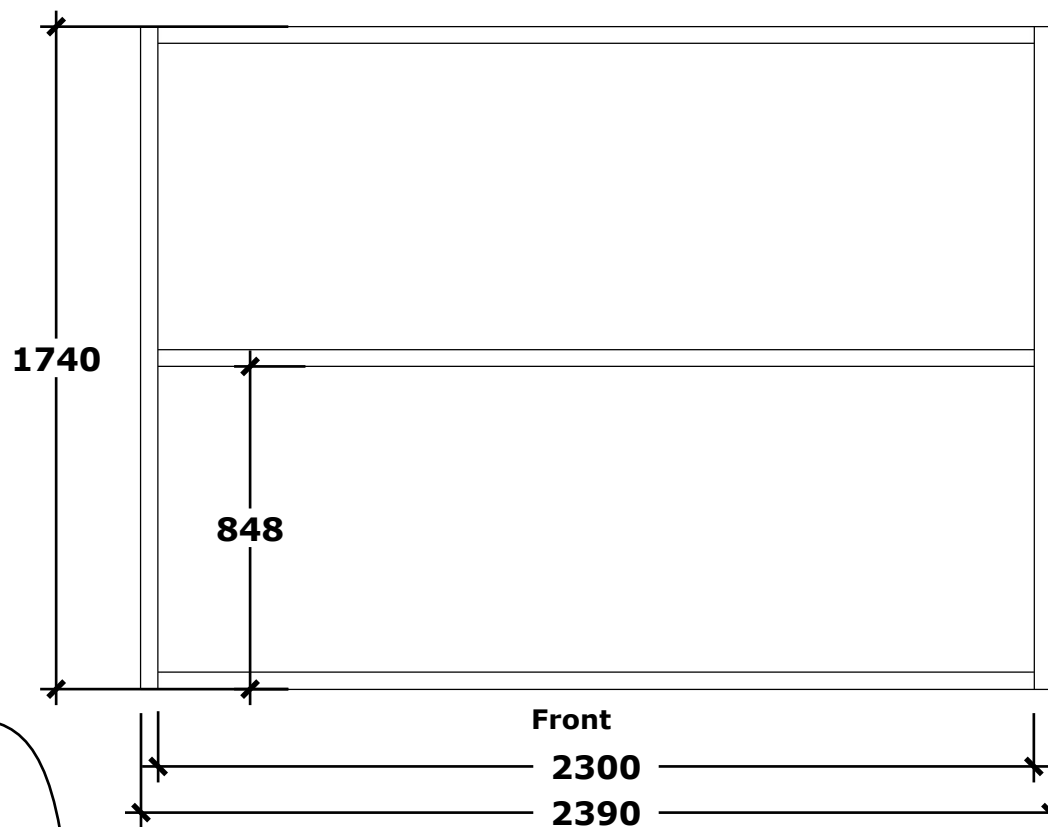


I
5*90



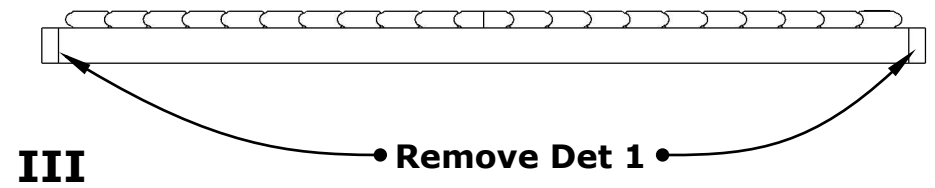
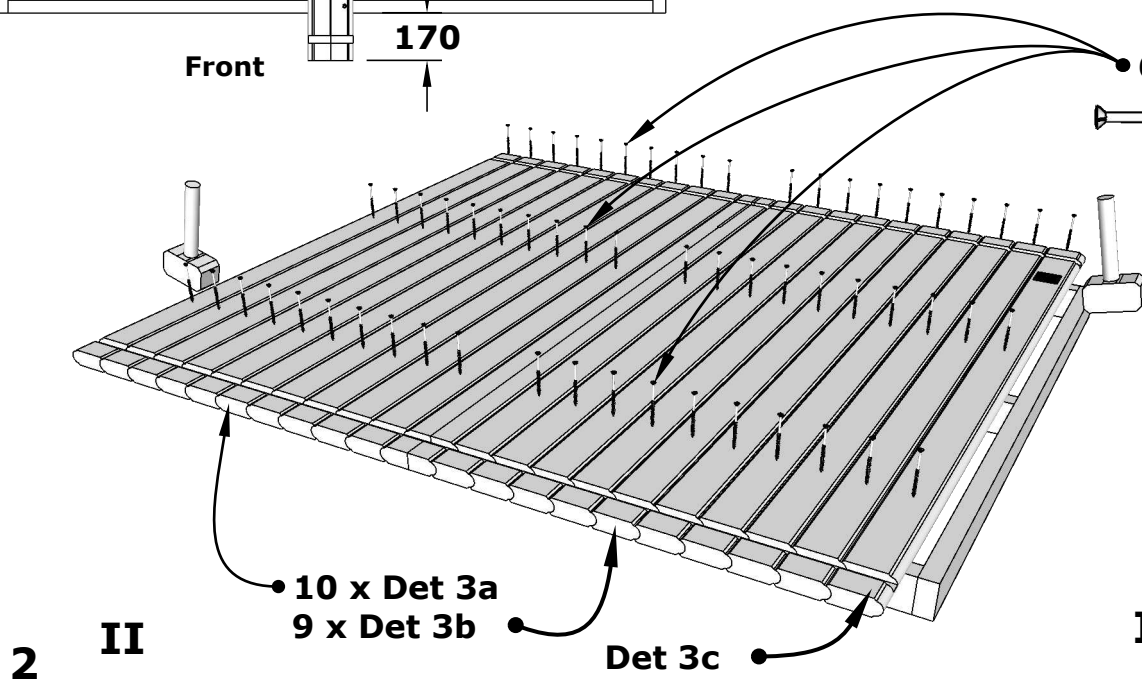
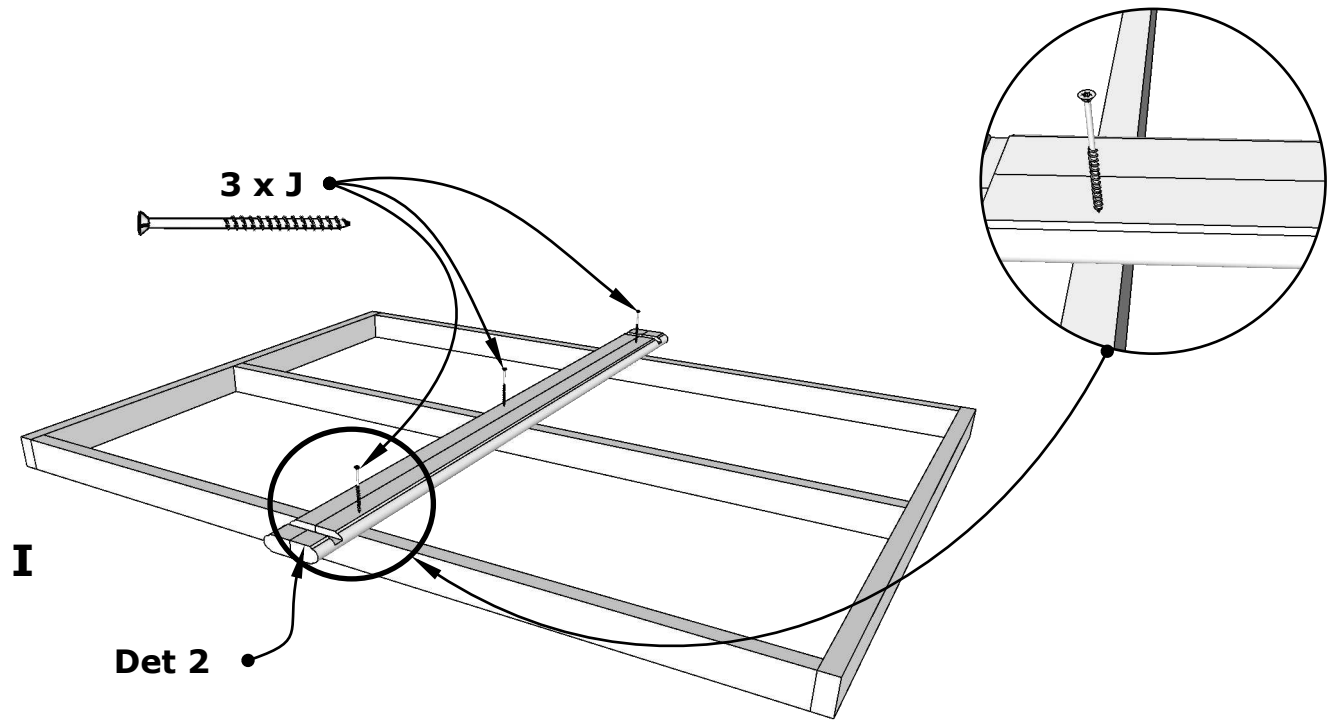
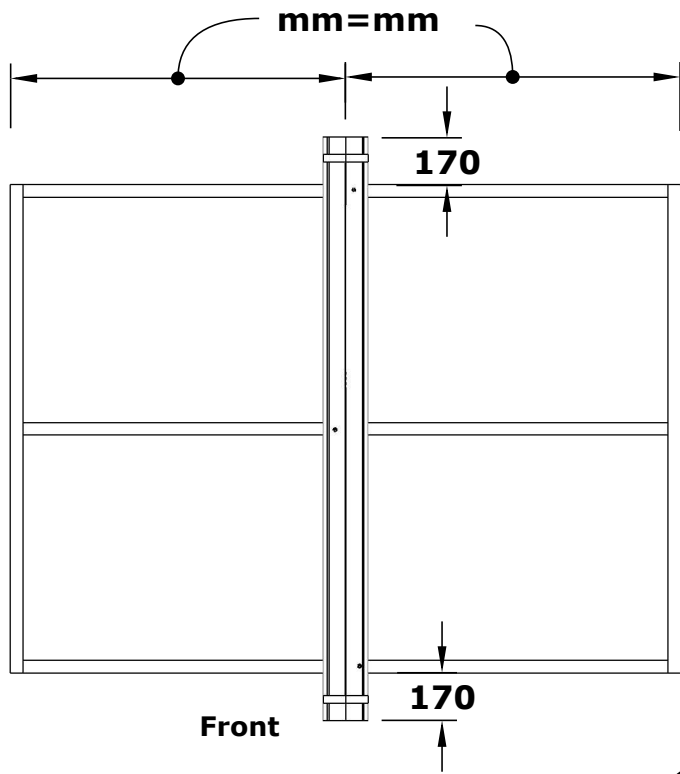
J
6*120

Raiki

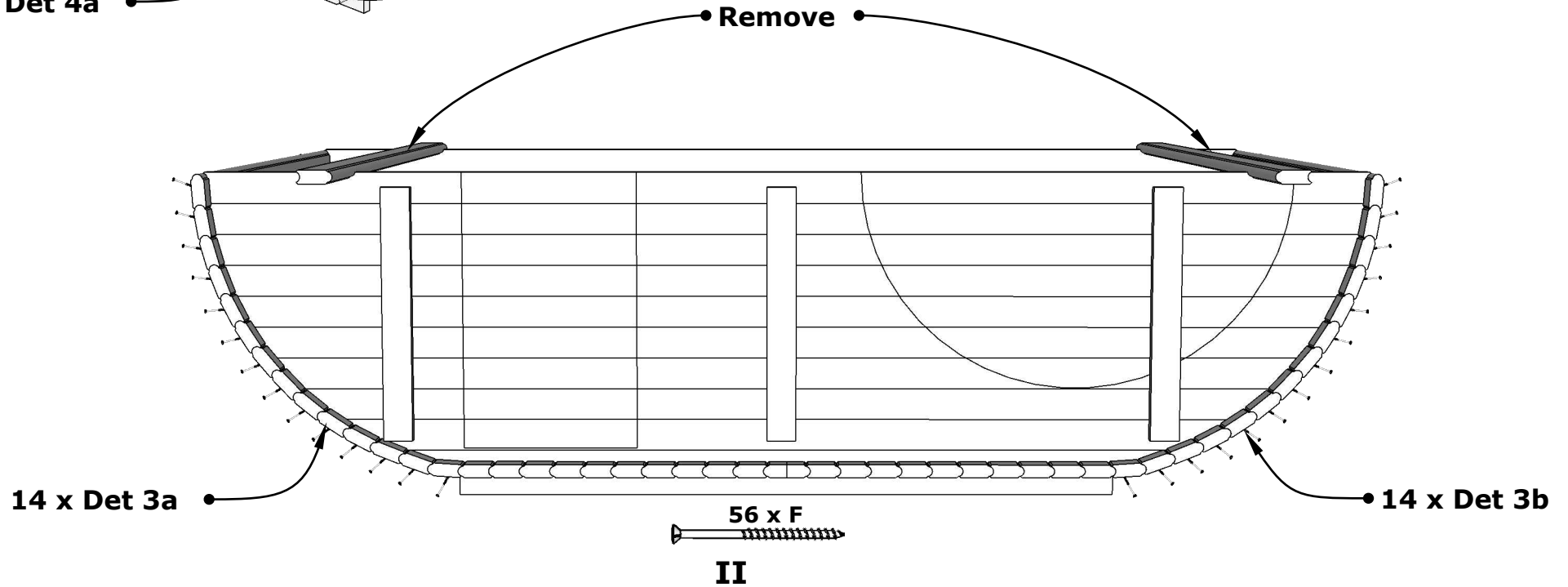
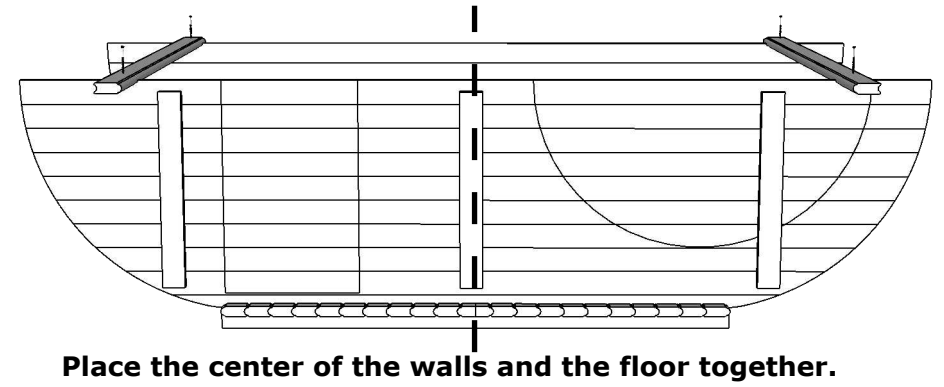
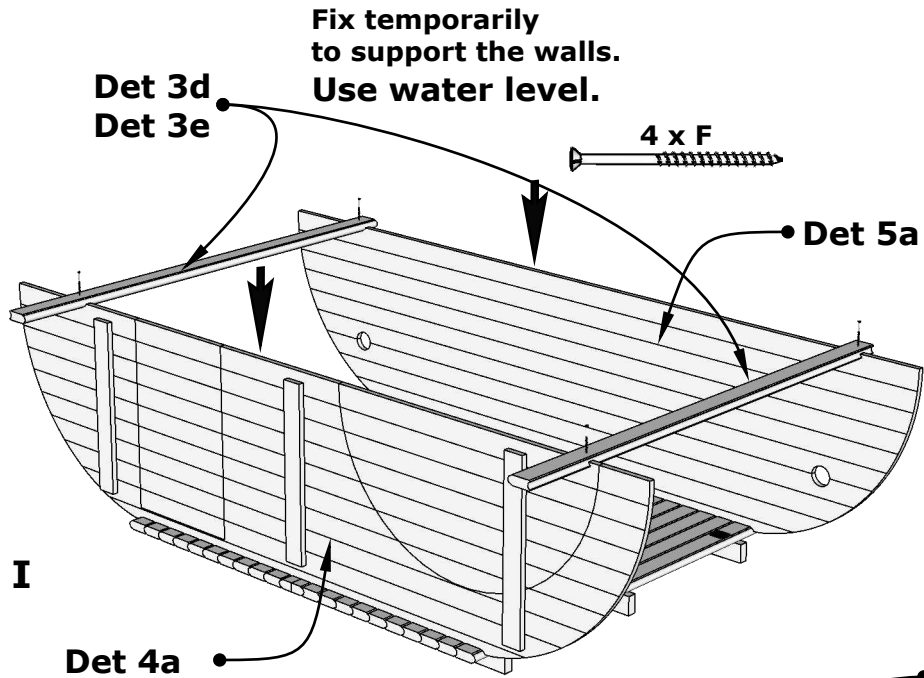


1

Raiki



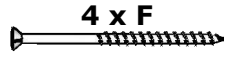
Raiki



Raiki

Det 3d
Det 3e

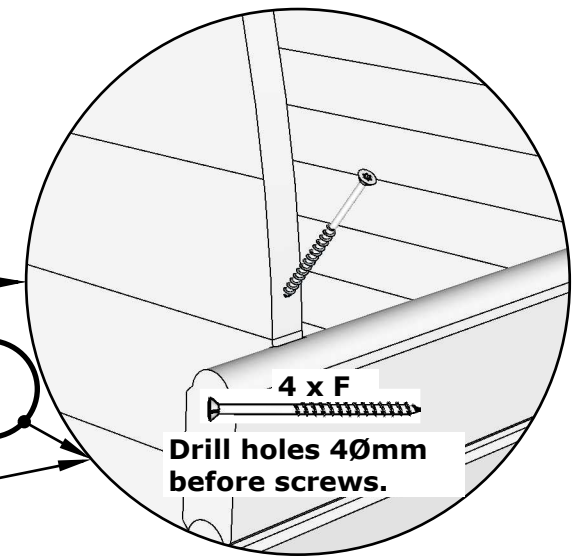
Use water level.
Fix temporarily
to support the walls.



Det 5b

Det 4b

I



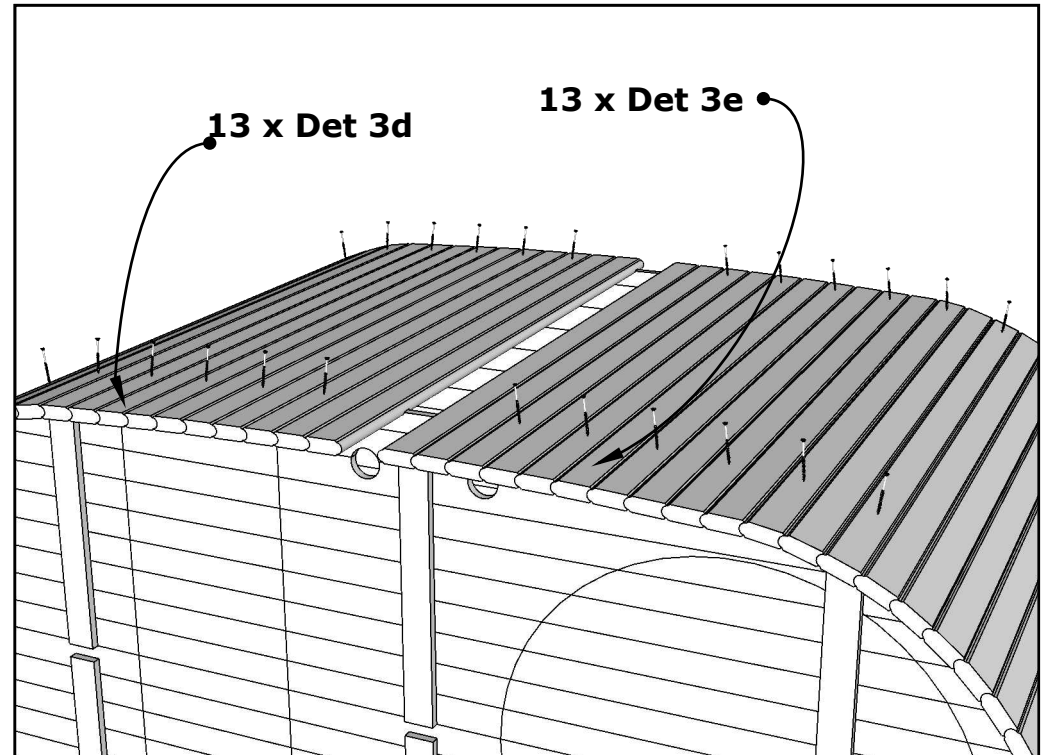
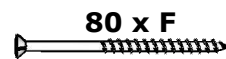
Remove

II

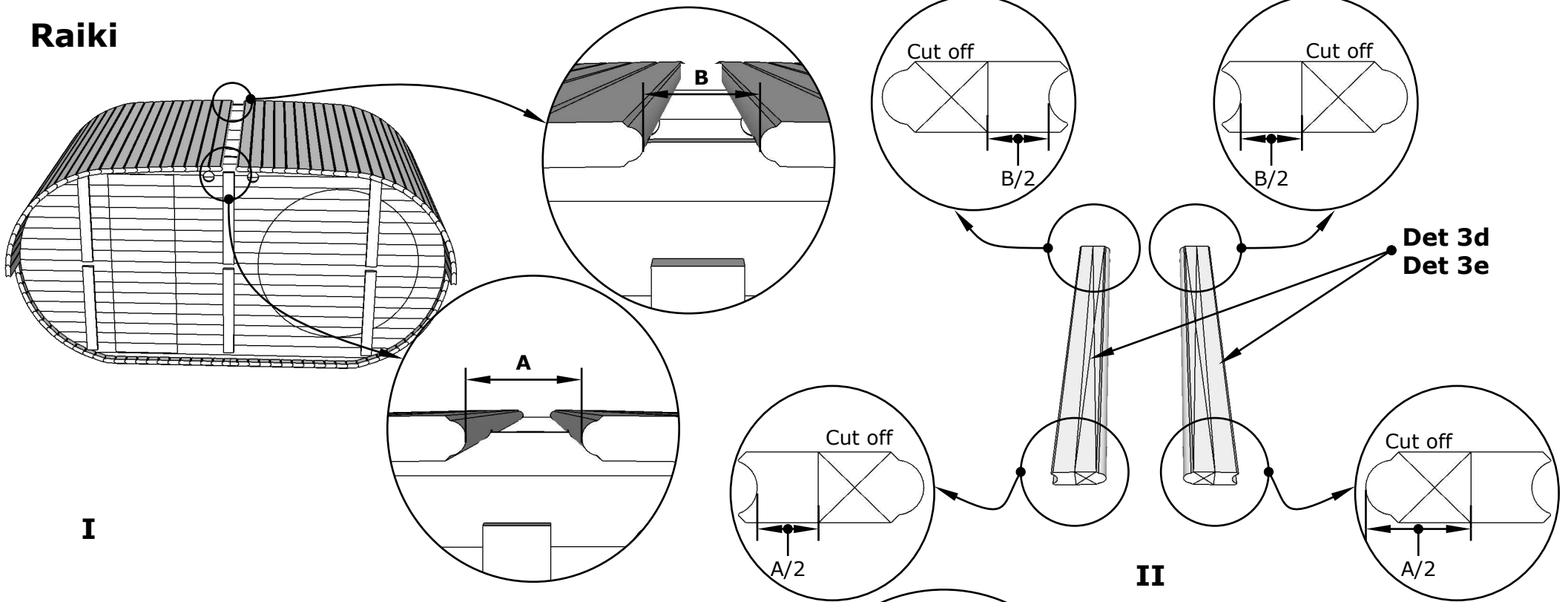
11 x Det 3d

4

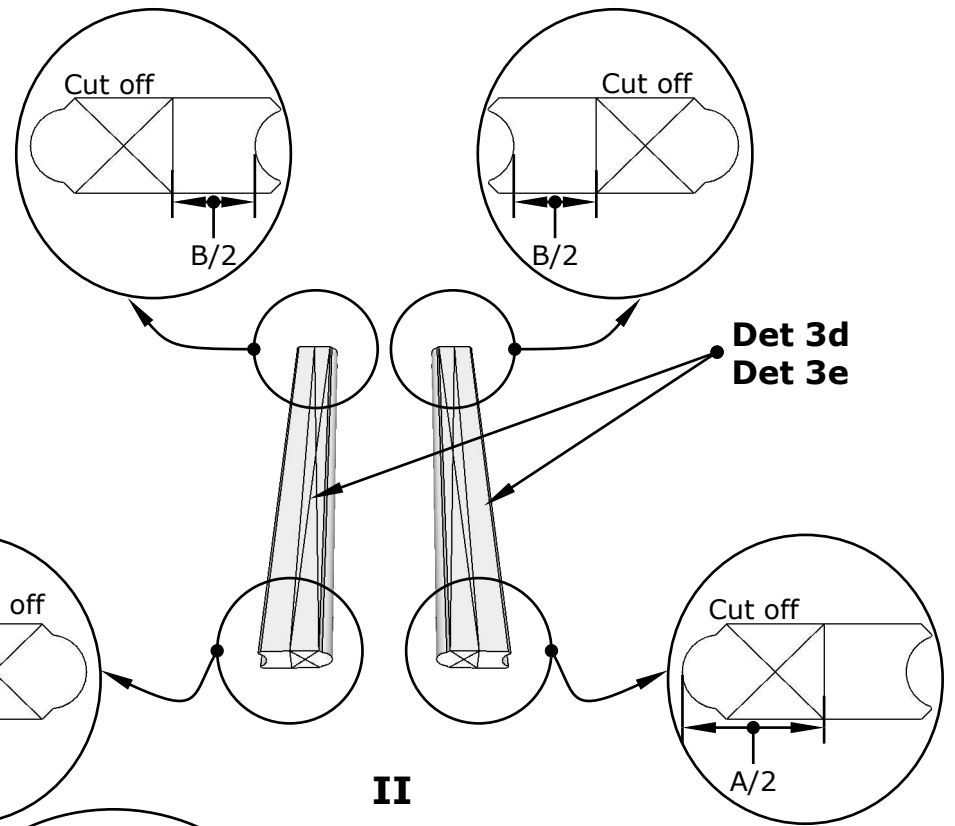
11 x Det 3e



Raiki

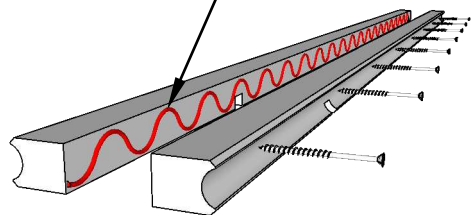


I



II

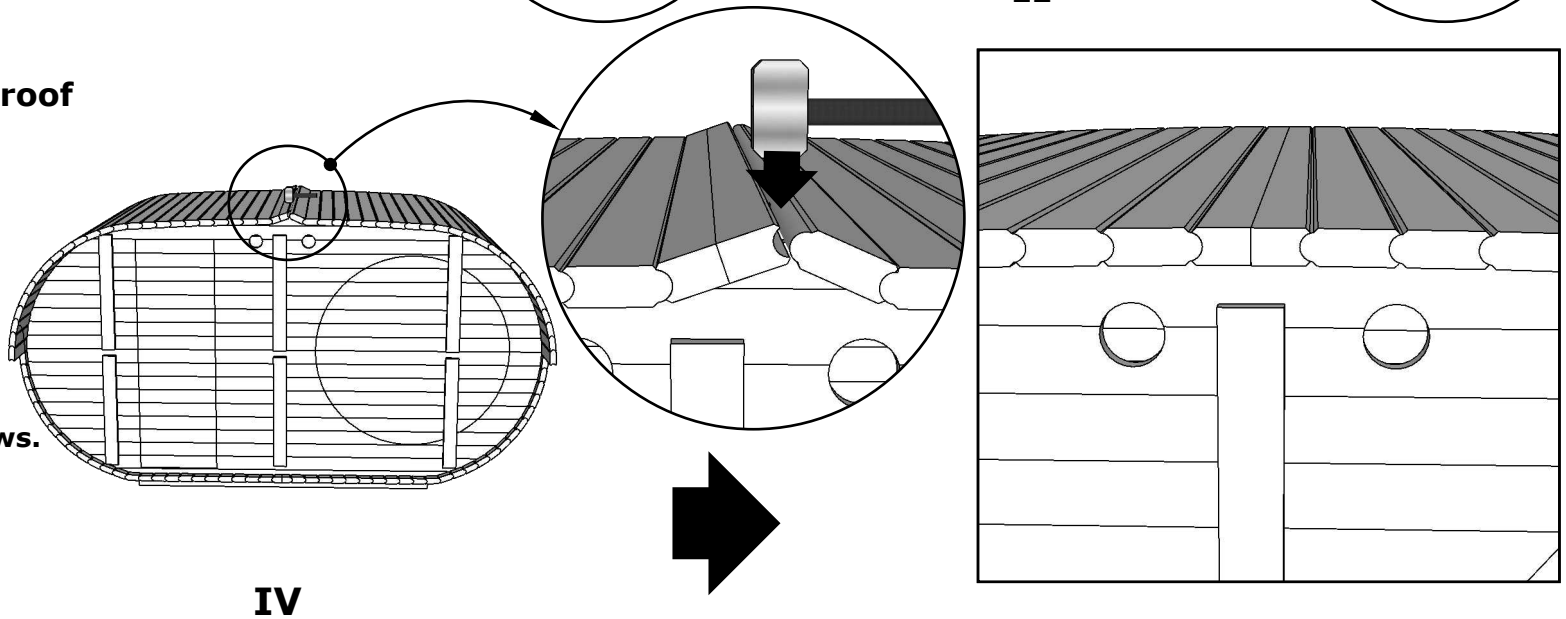
Add waterproof silicone.



Drill holes $\text{\O}4\text{mm}$ before screws.



III

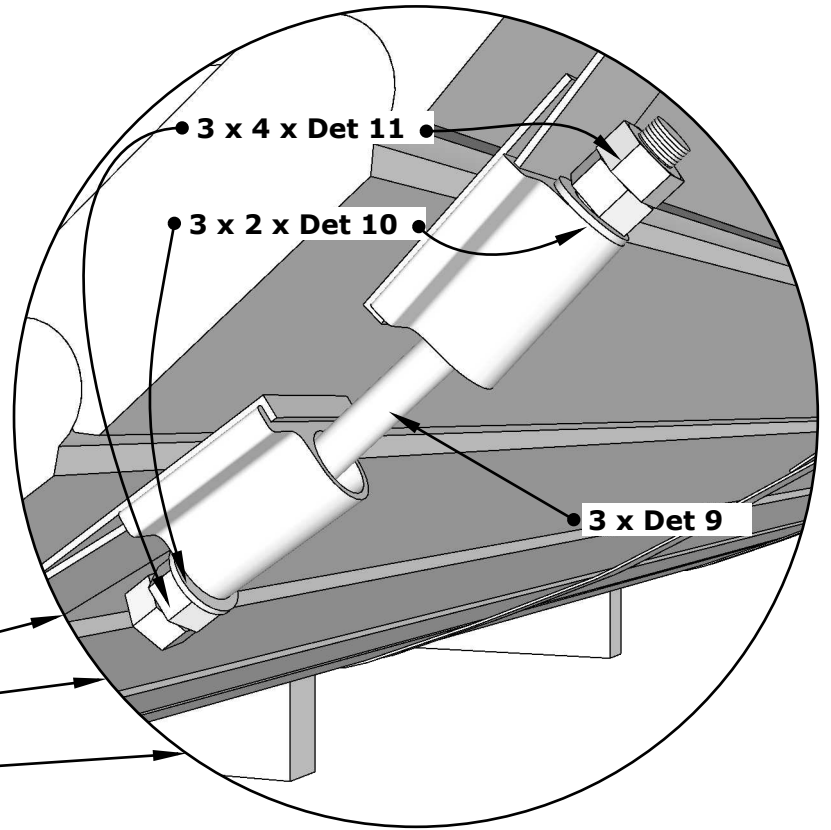
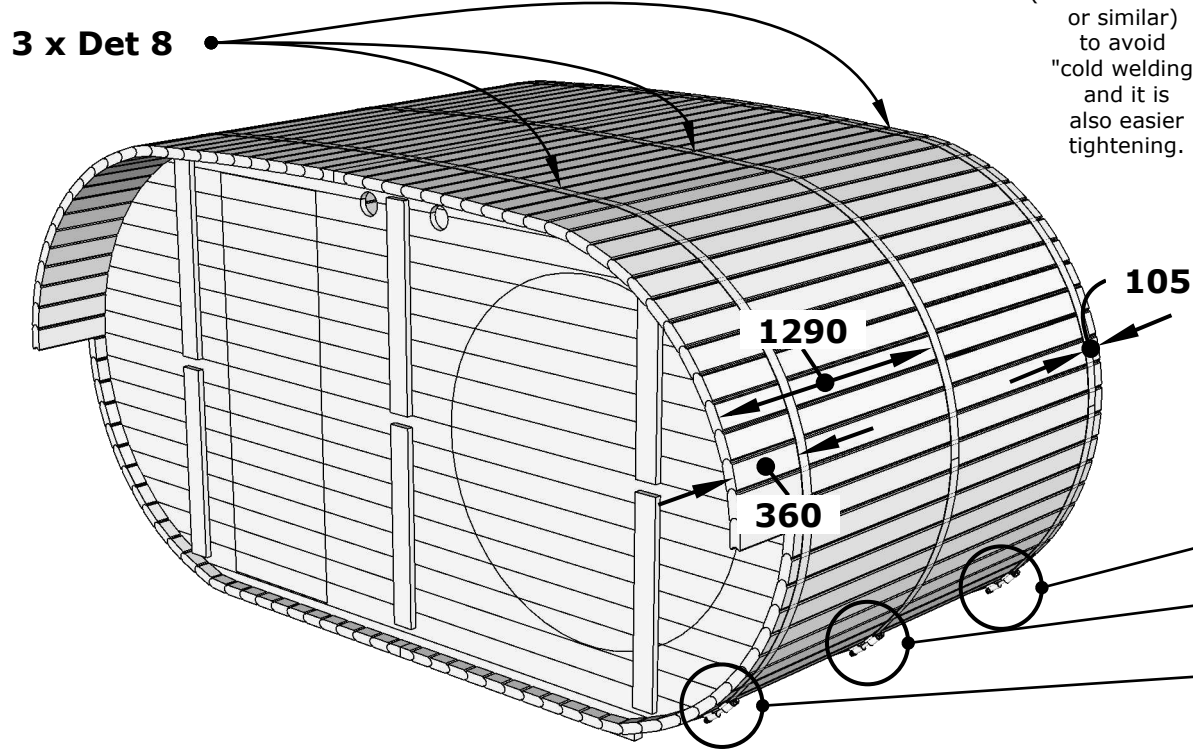


IV

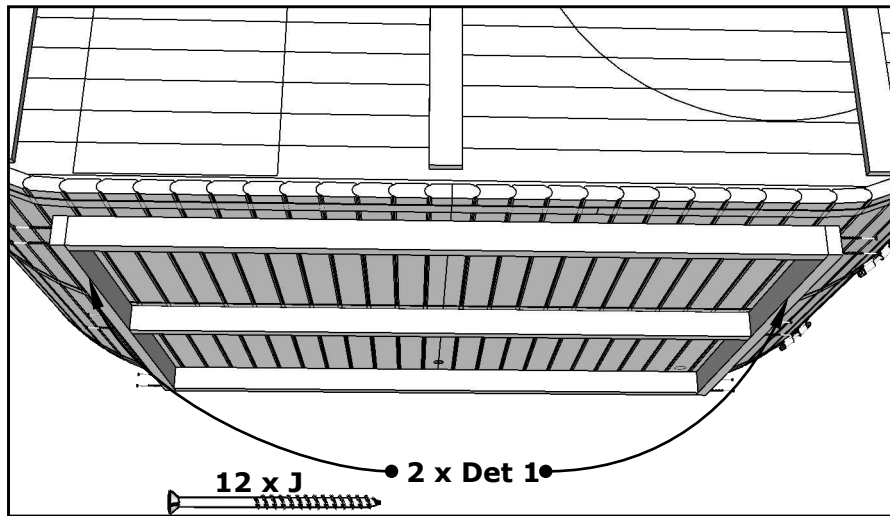
5

Raiki

During assembly and retightening the threaded rods, use oil (Würth HSP 1400 or similar) to avoid "cold welding" and it is also easier tightening.

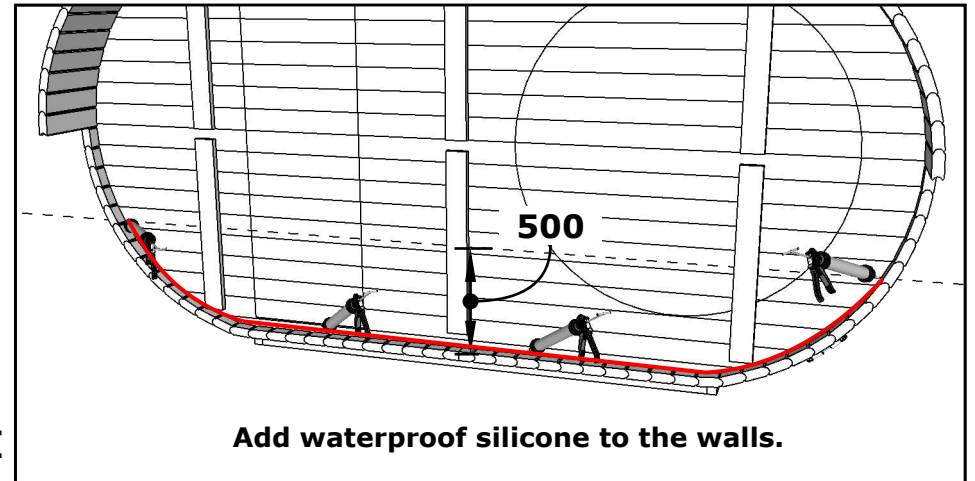


I



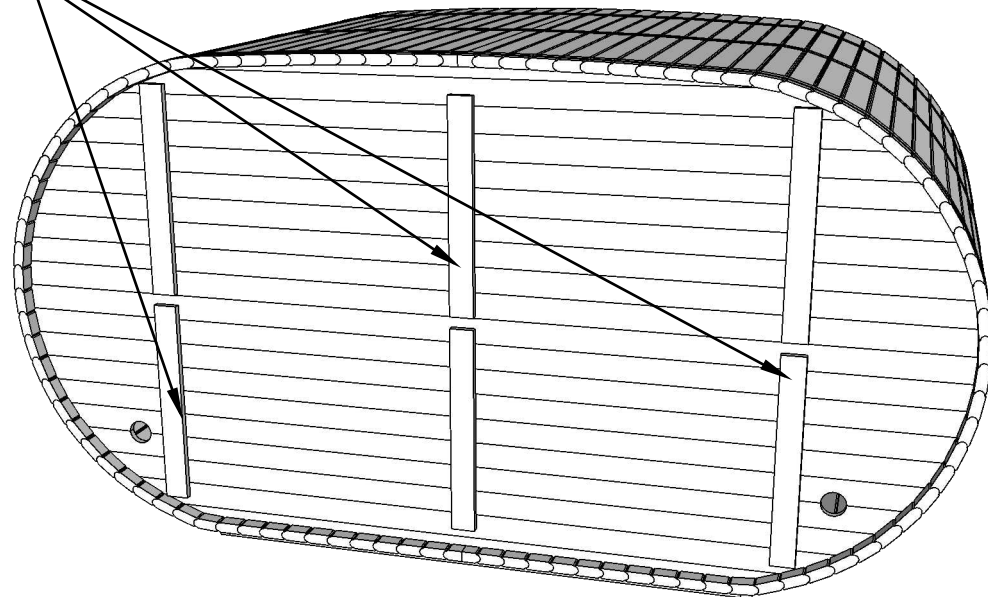
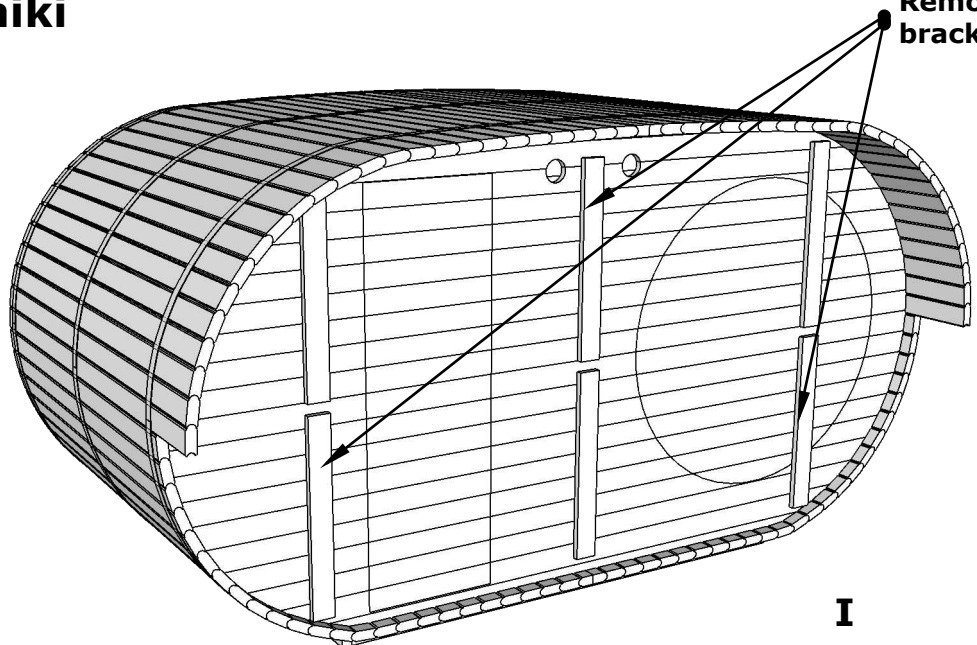
II

6



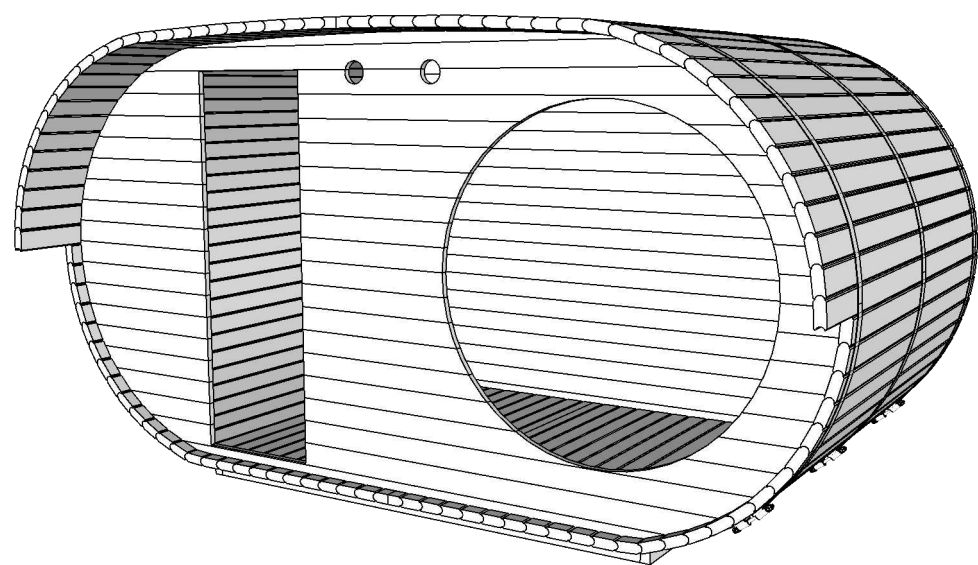
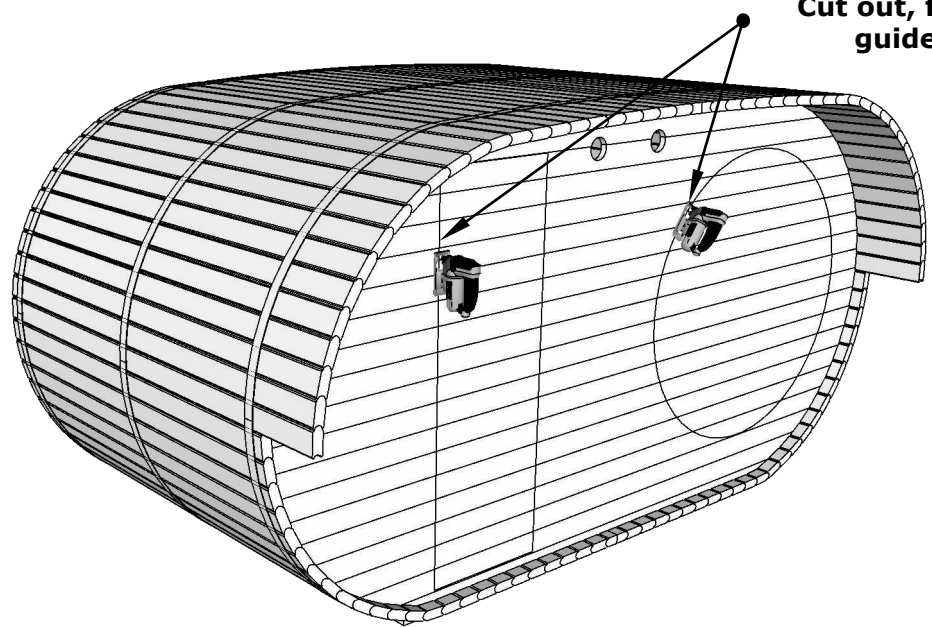
Raiki

Remove all brackets.



I

Cut out, follow the guidelines.

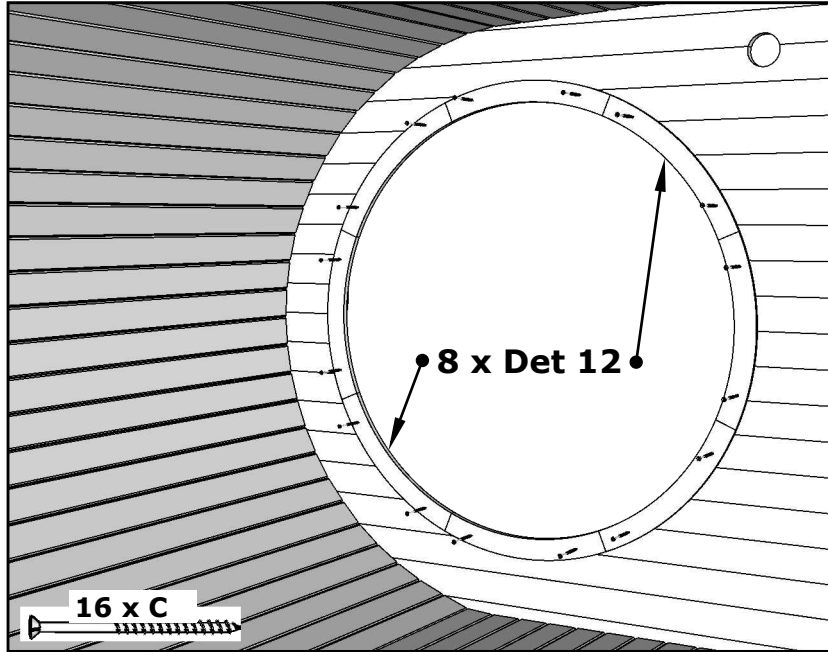


II

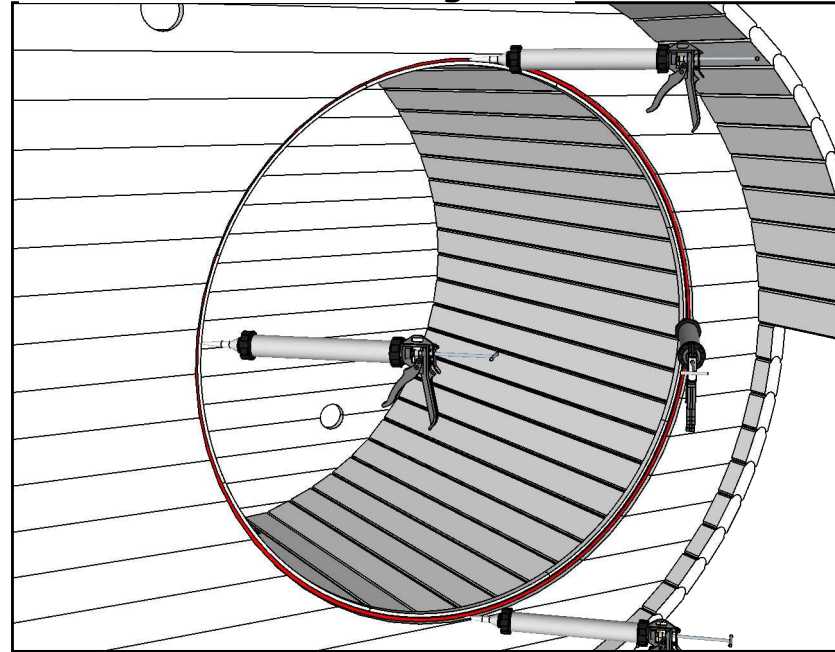
Raiki

Add adhesive mass for glass.

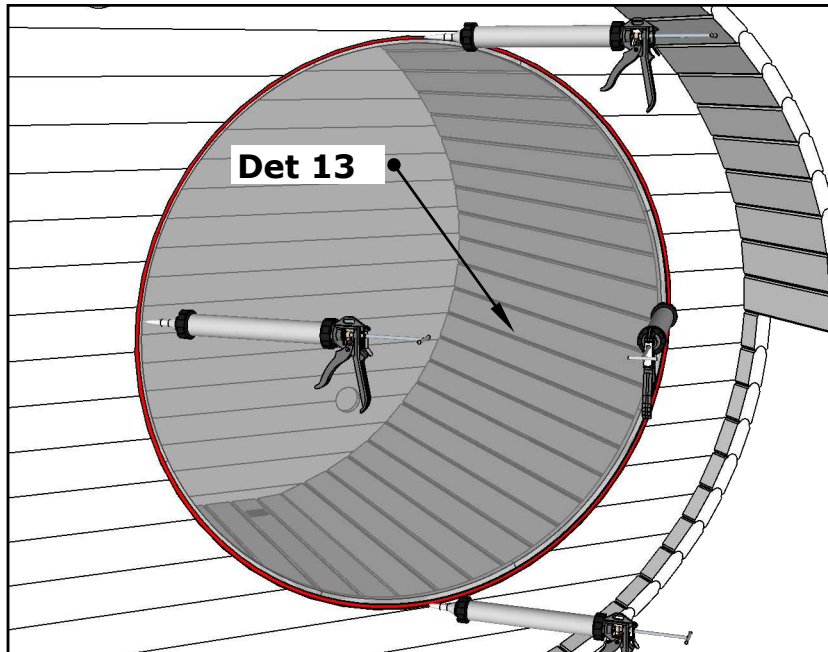
I



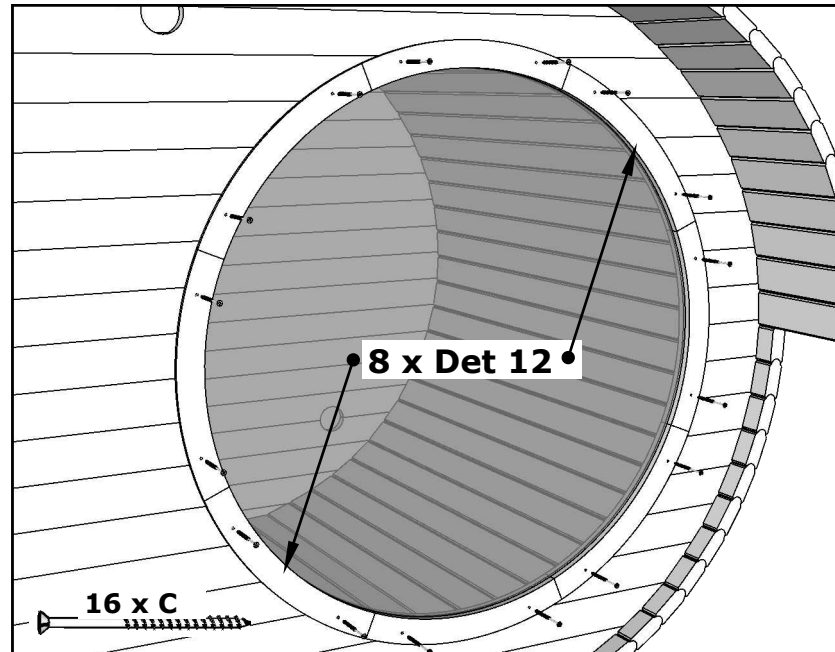
II



III



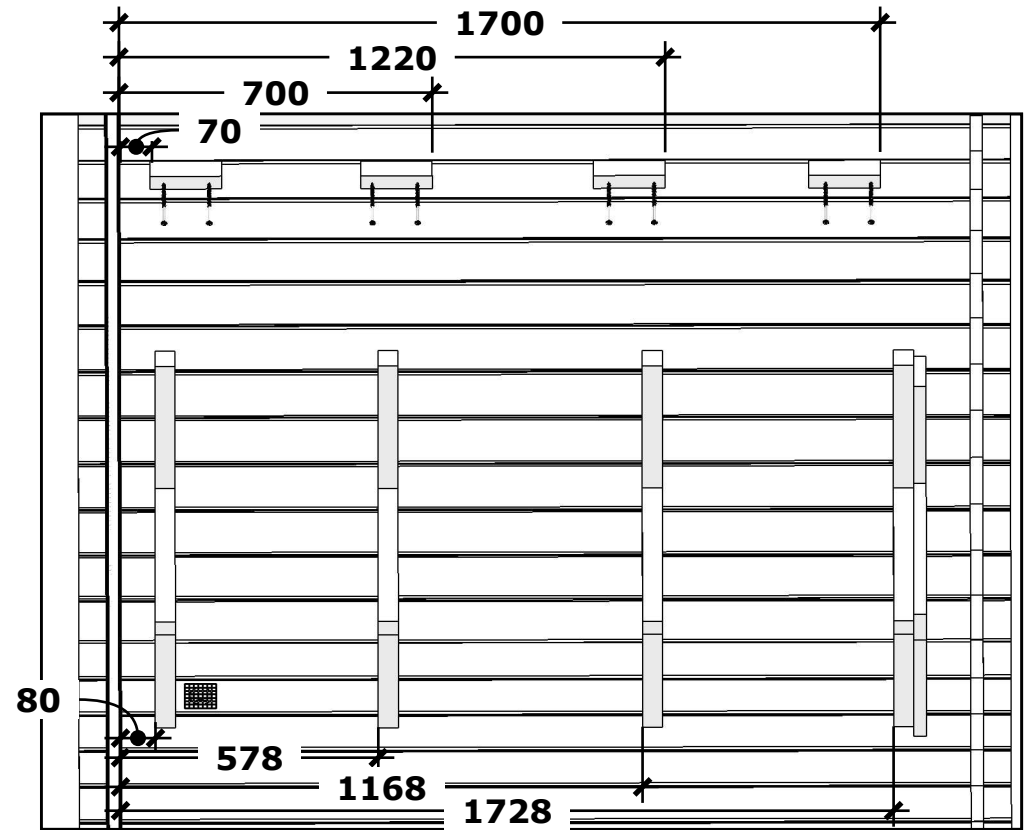
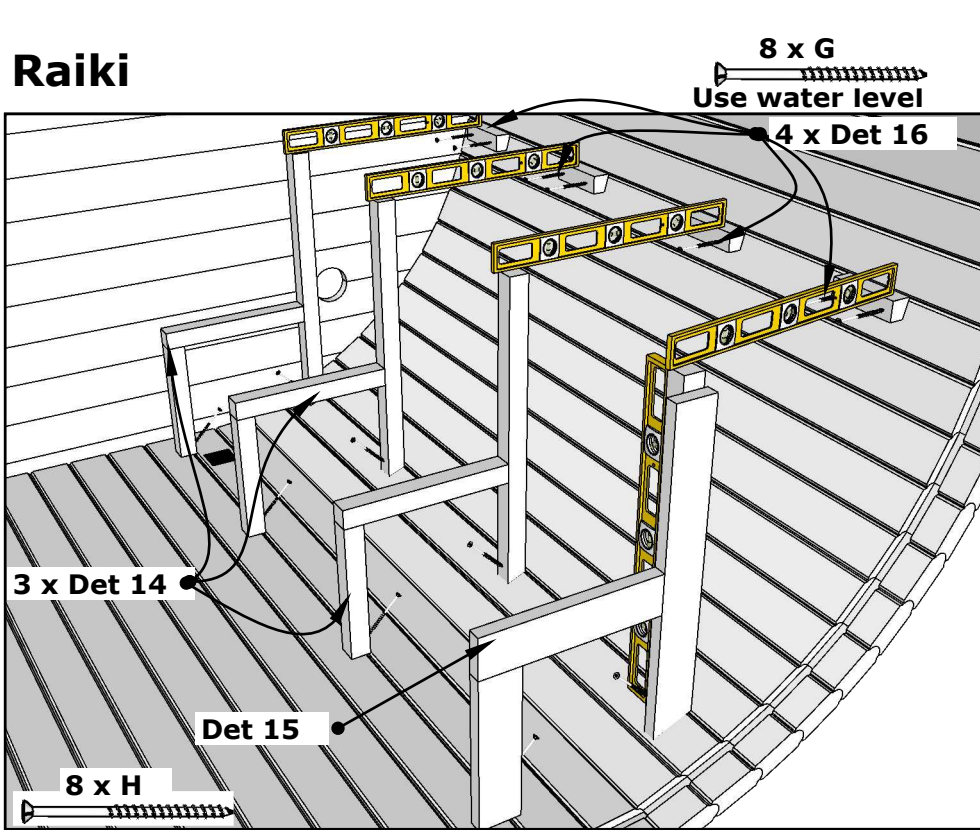
IV



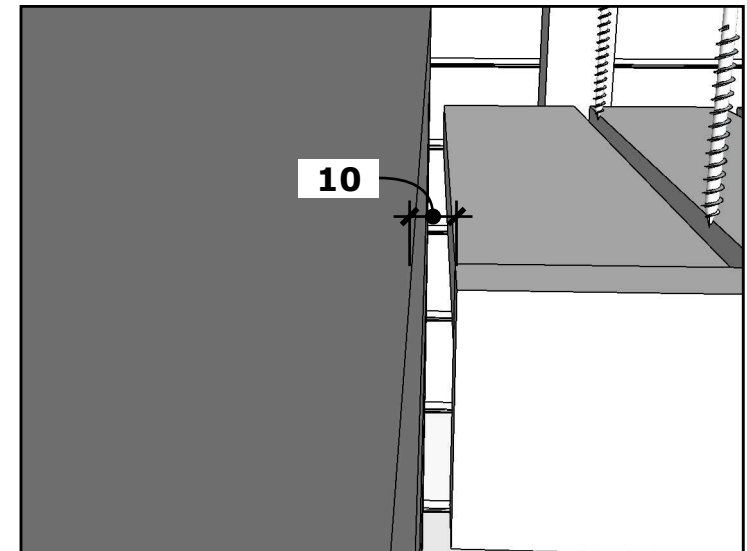
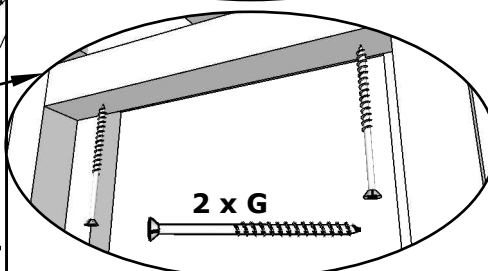
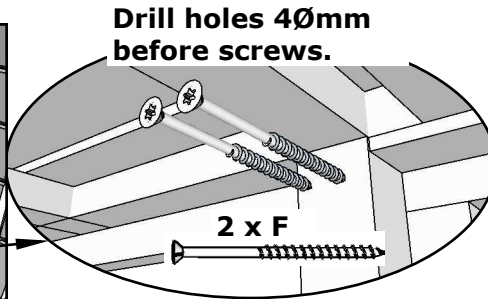
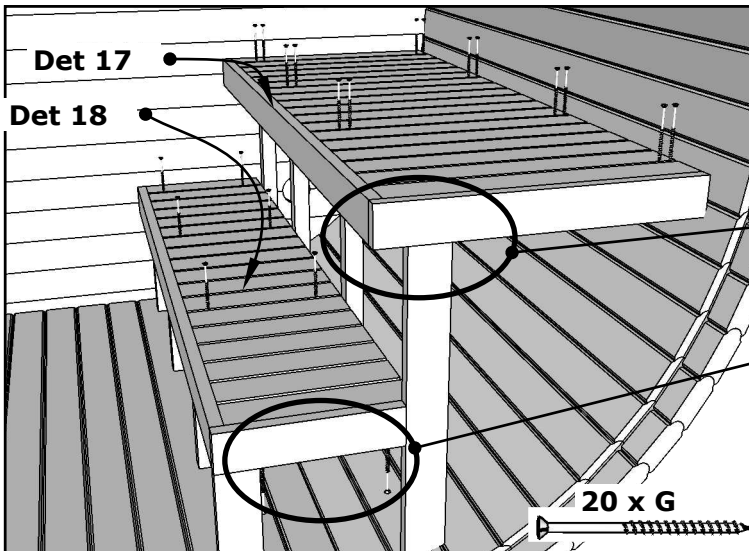
8

Add adhesive mass for glass.

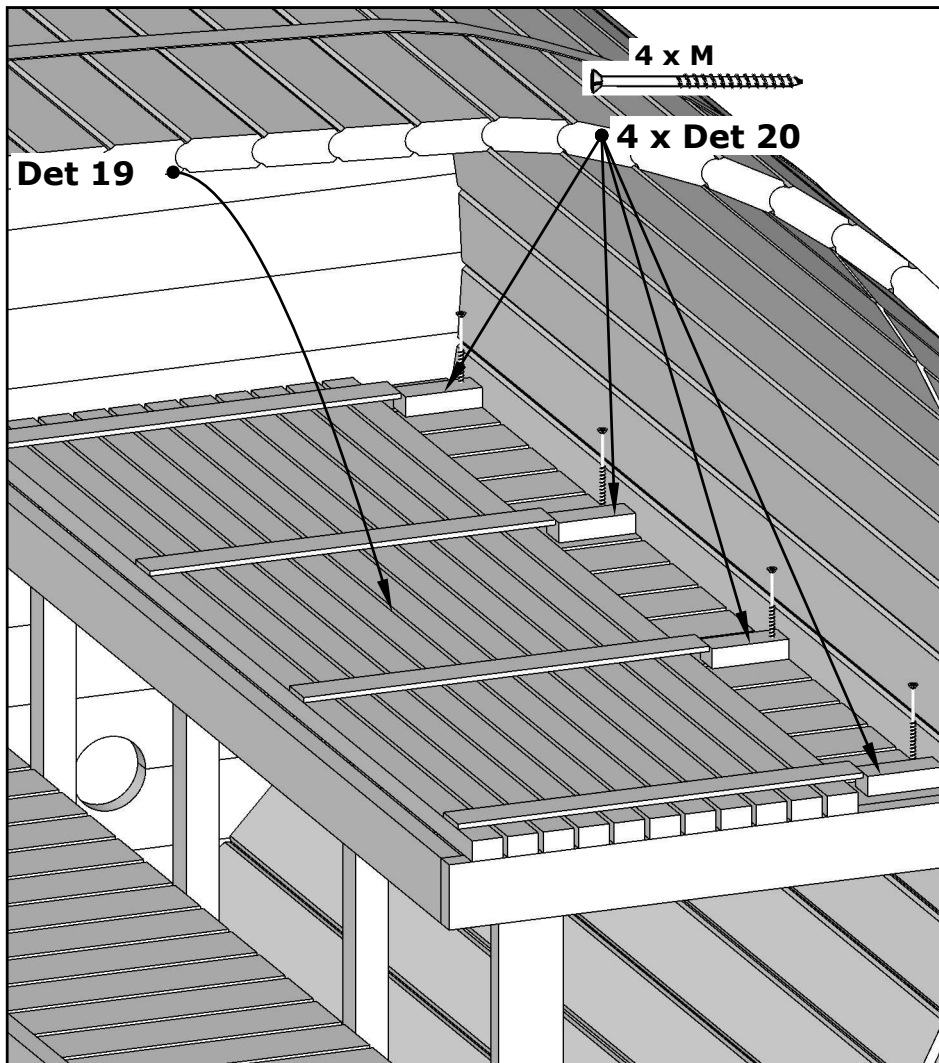
Raiki



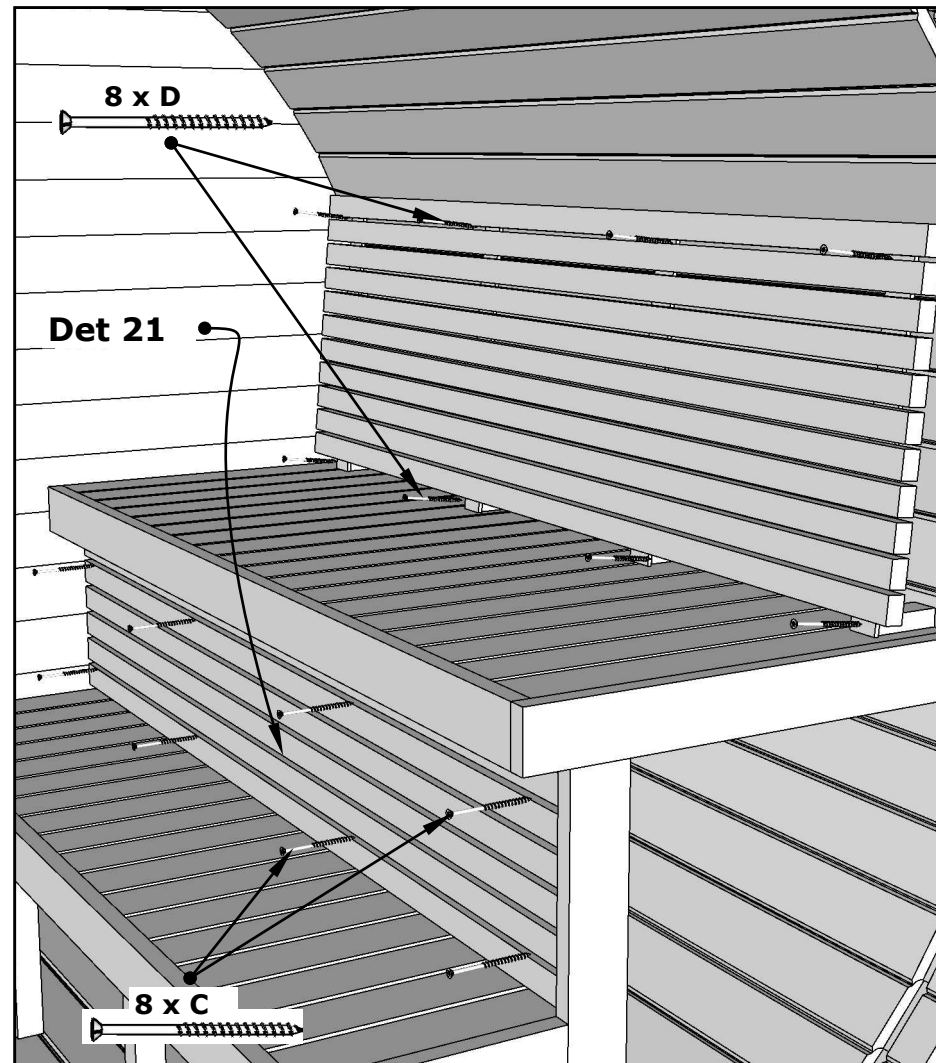
I Drill holes 40mm before screws.



Raiki

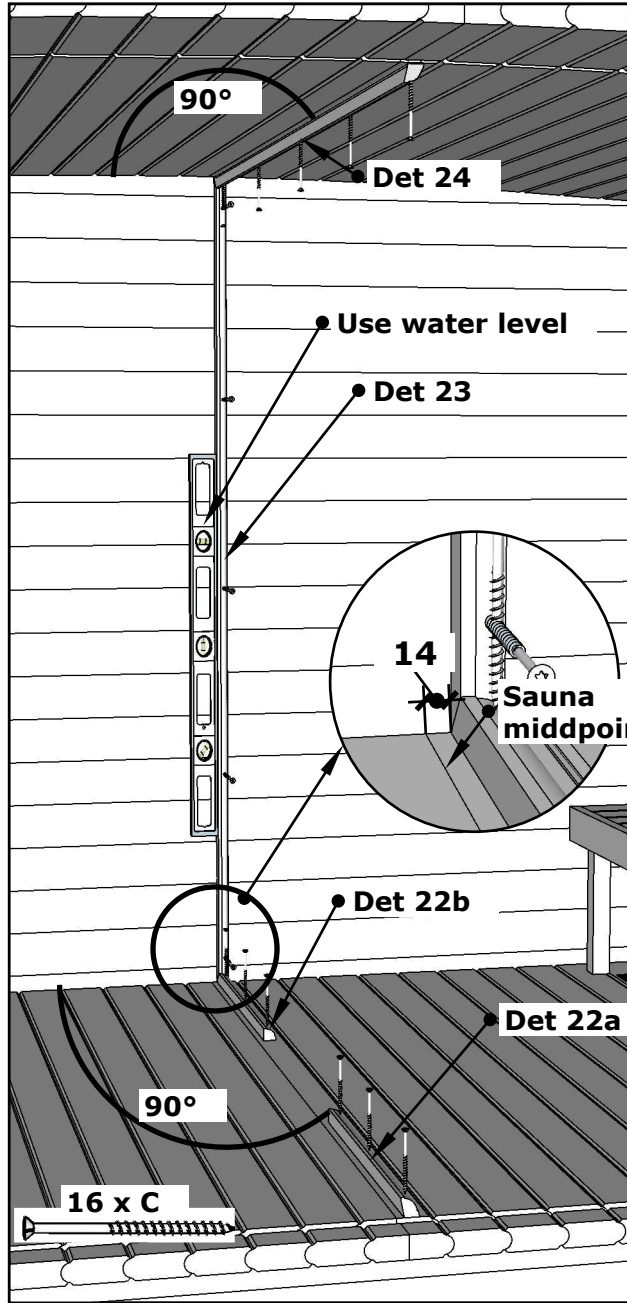


I

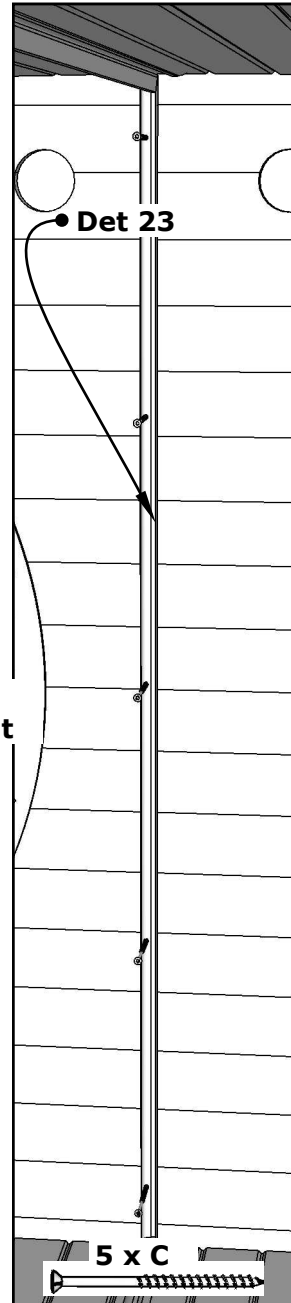


II

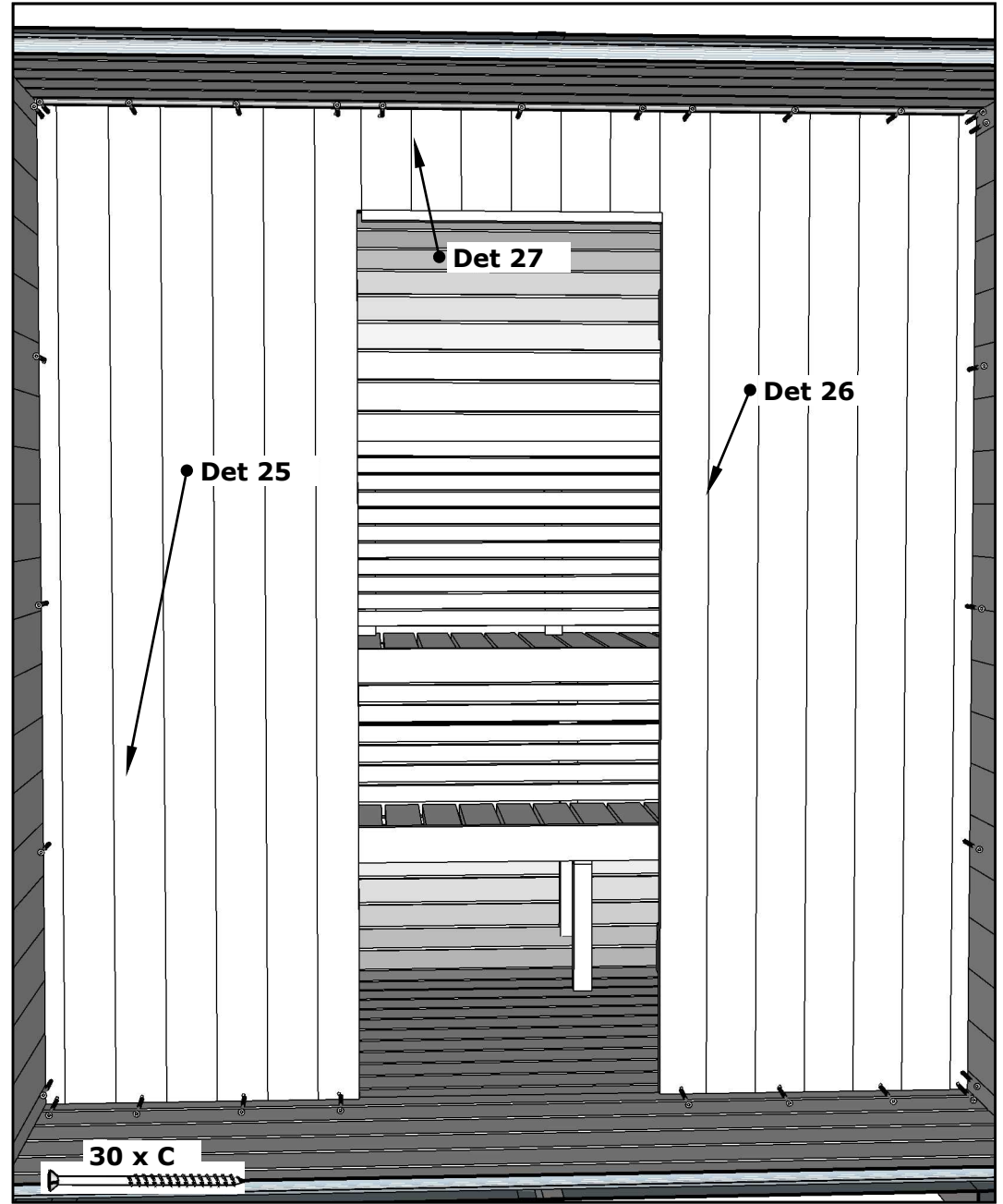
Raiki



11 I

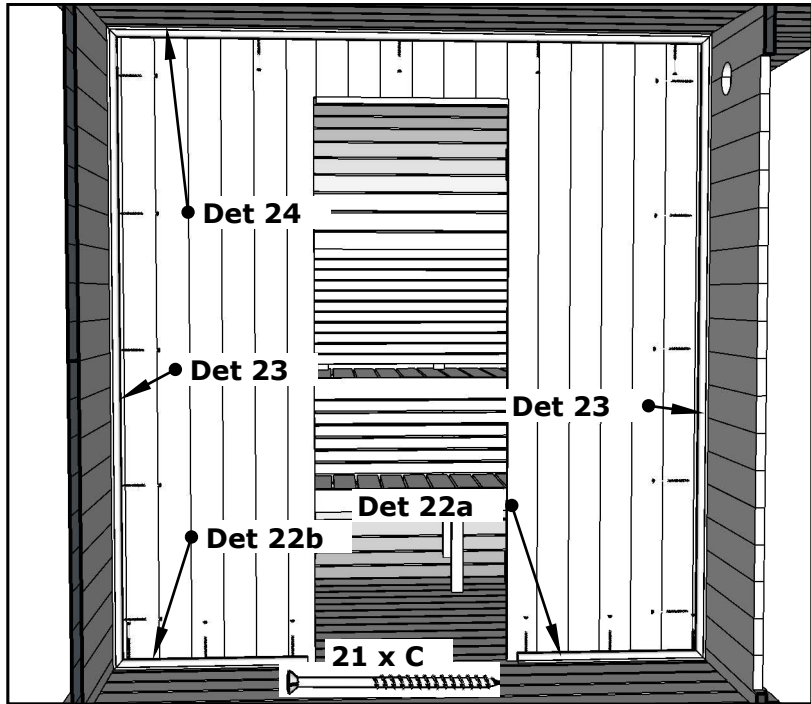


II

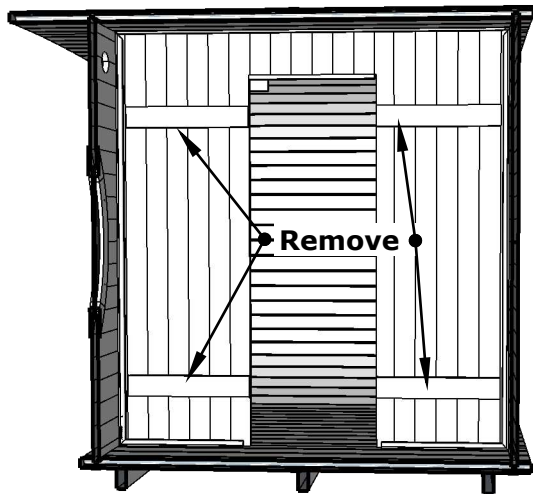


III

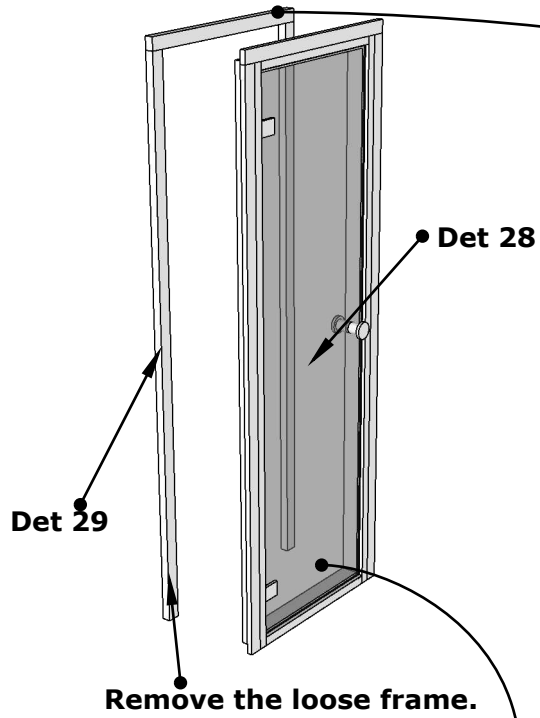
Raiki



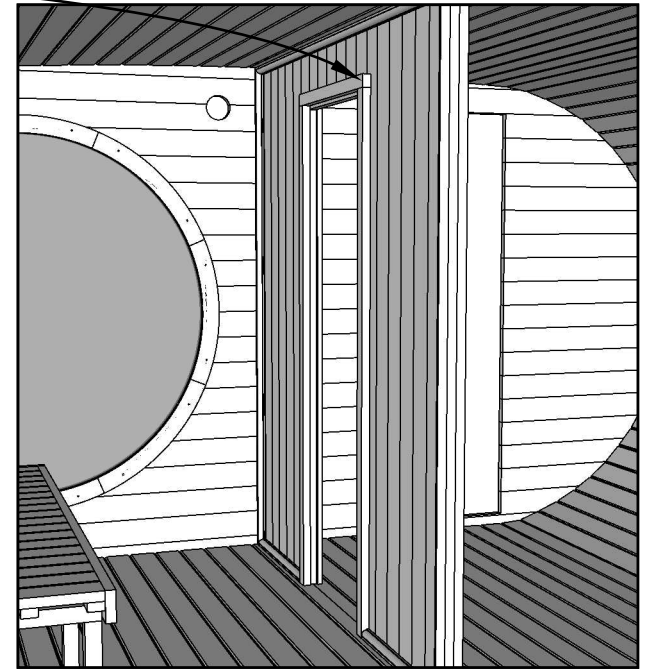
I



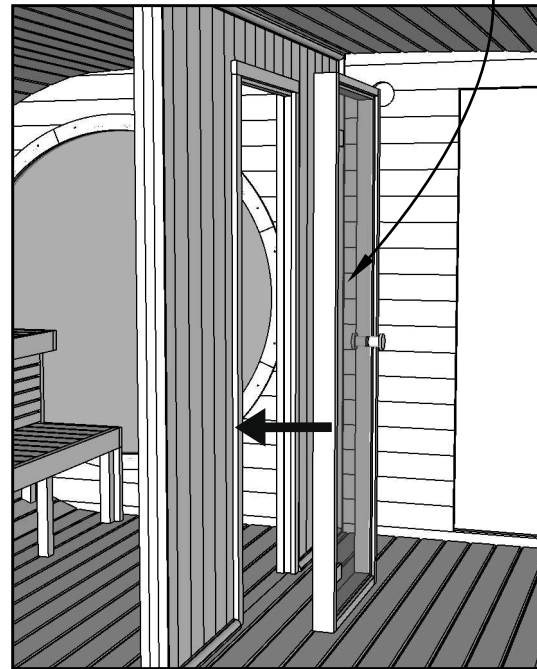
12 II



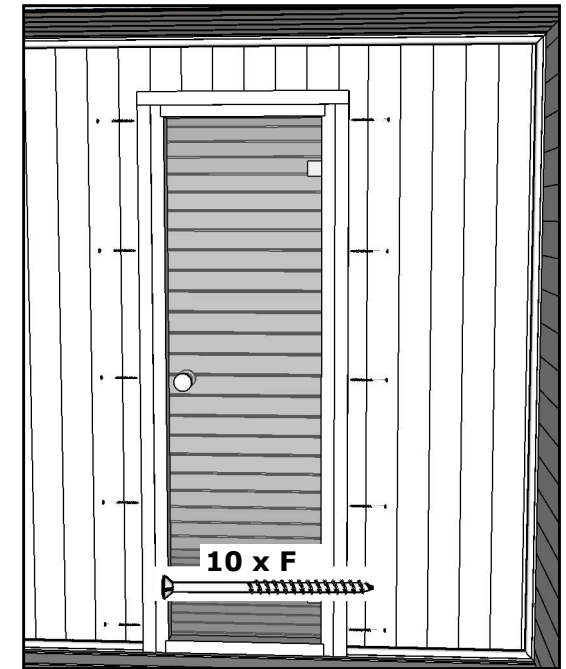
III



IV

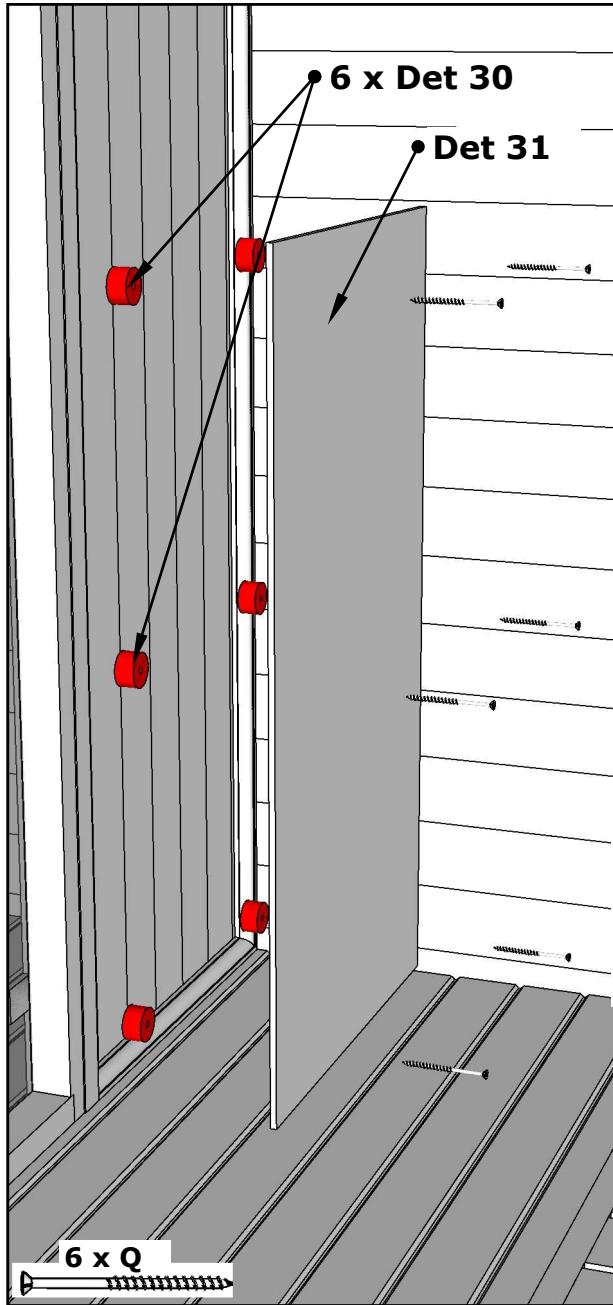


V



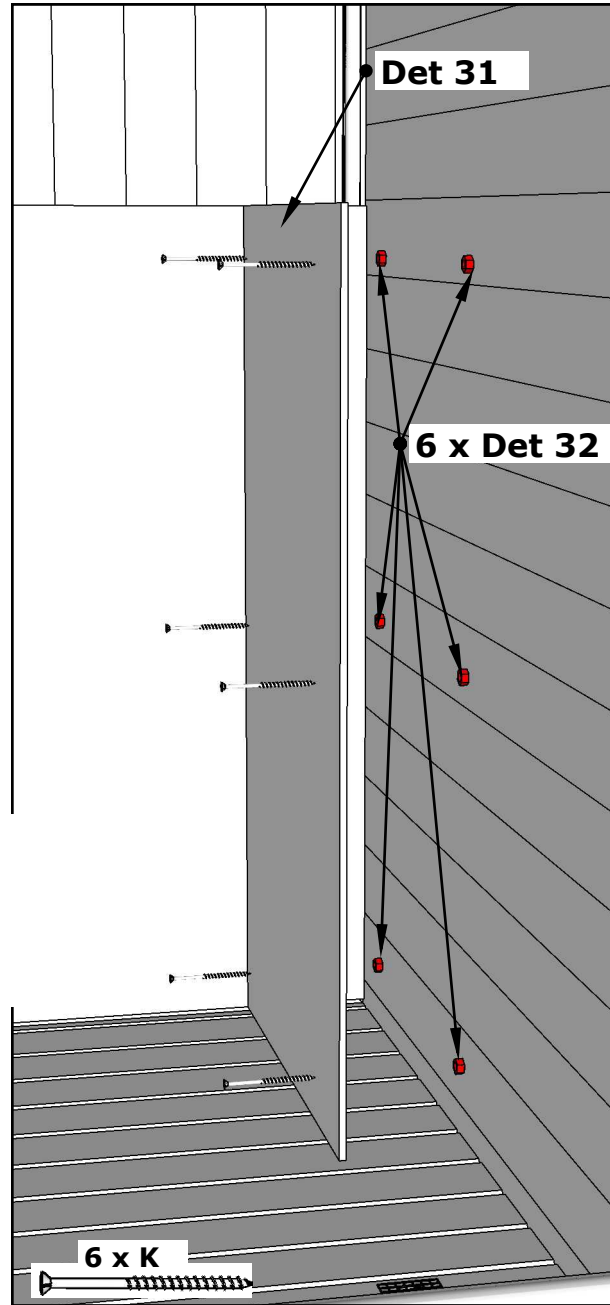
VI

Raiki

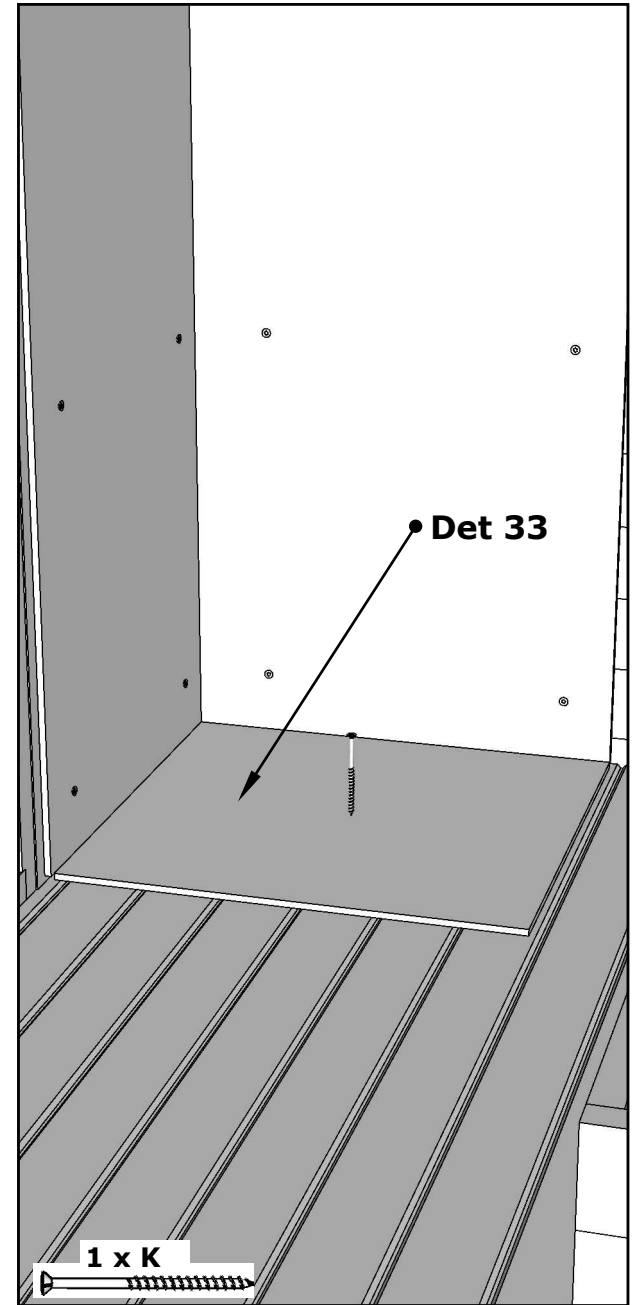


The height of Det 31 from the ground is 9 mm.

13 I

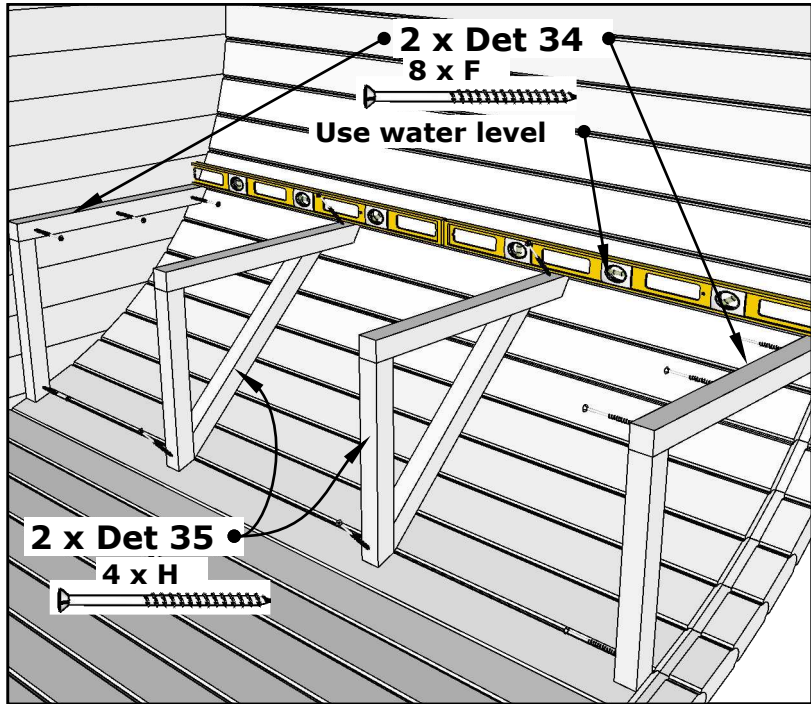


II

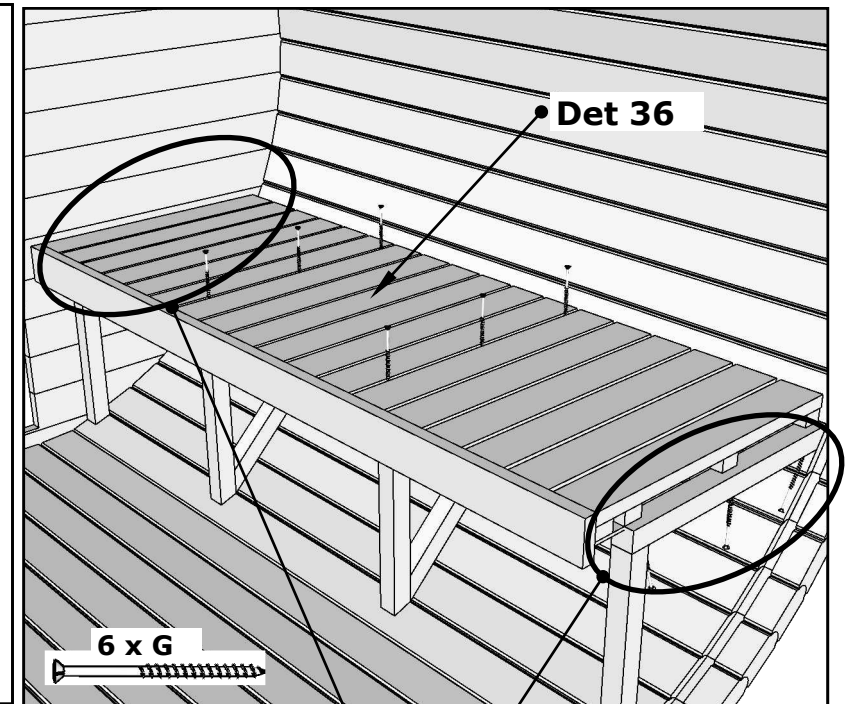
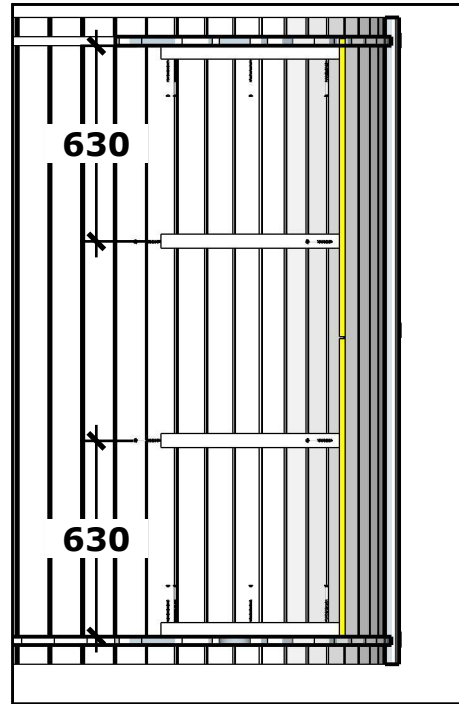


III

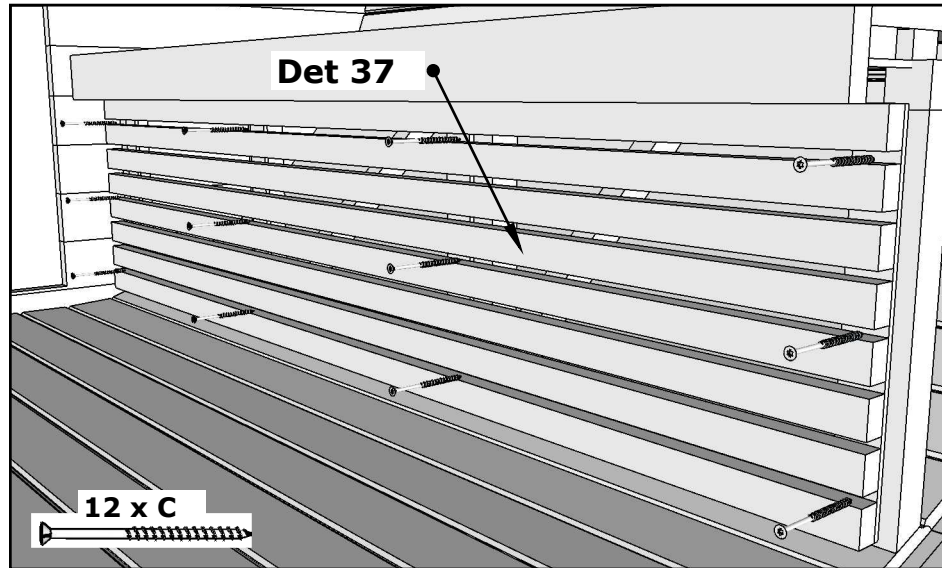
Raiki



I

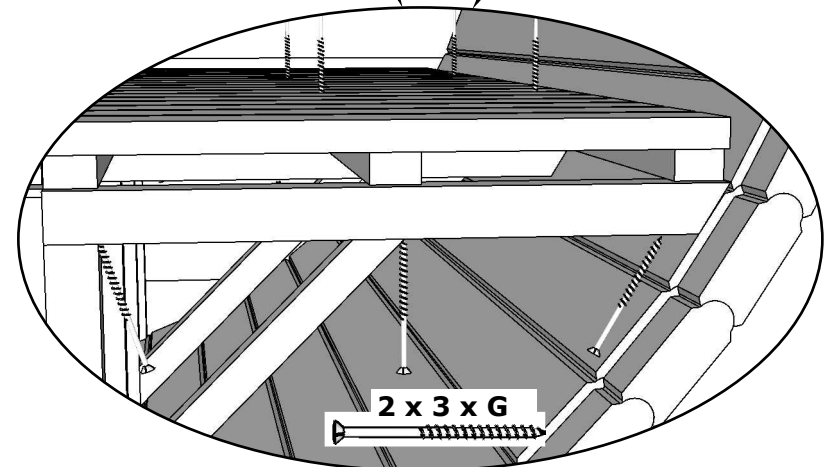


II

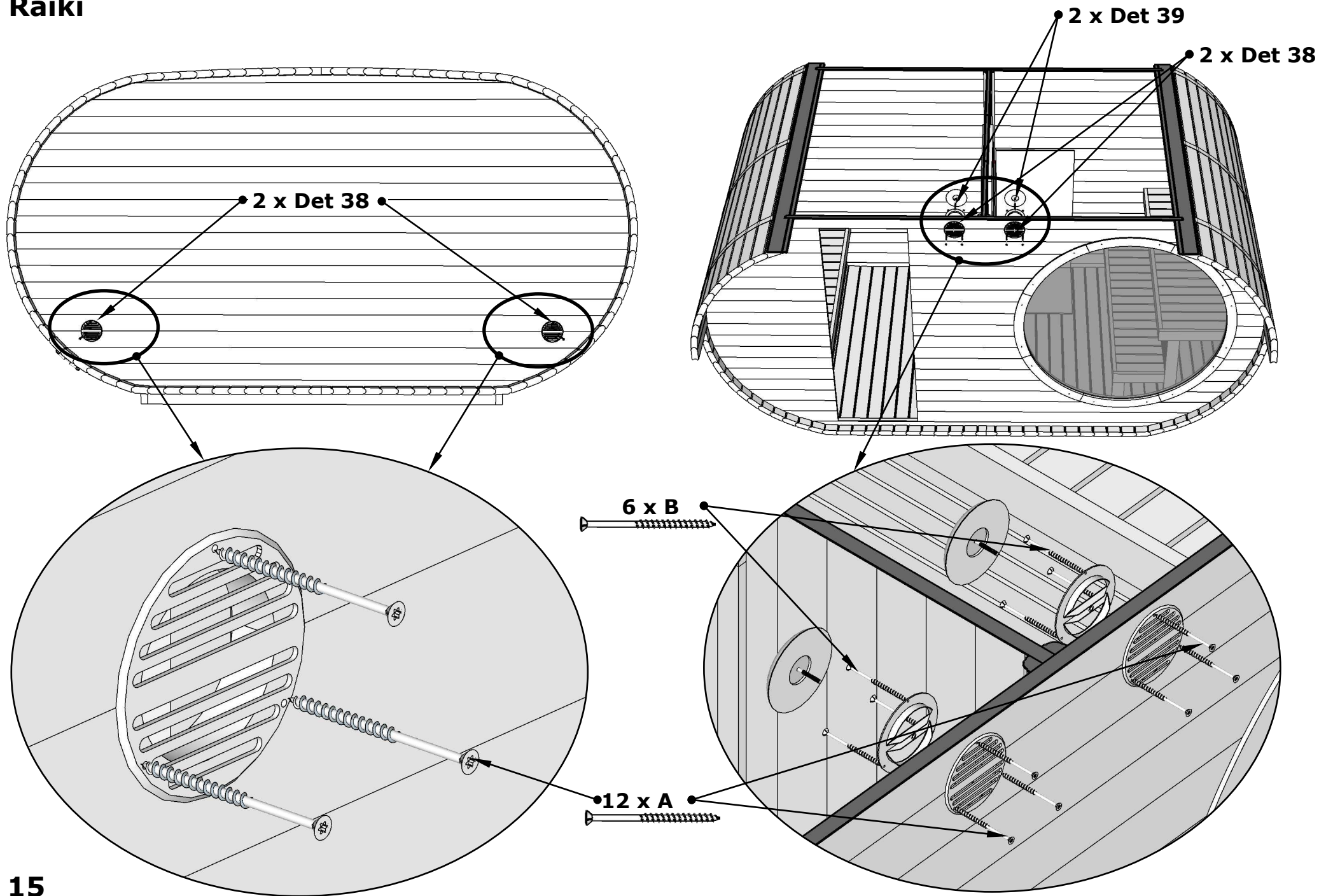


14

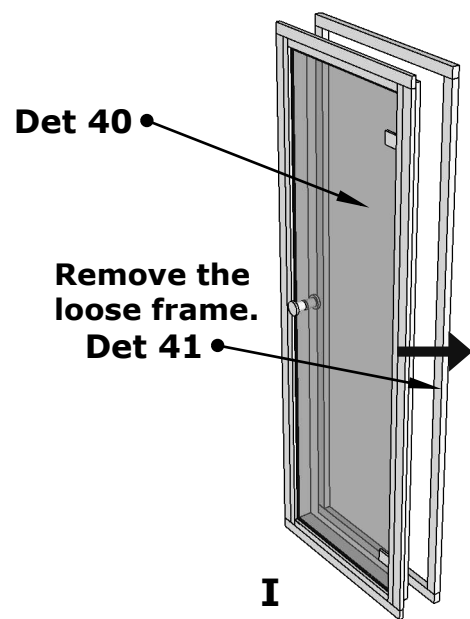
III



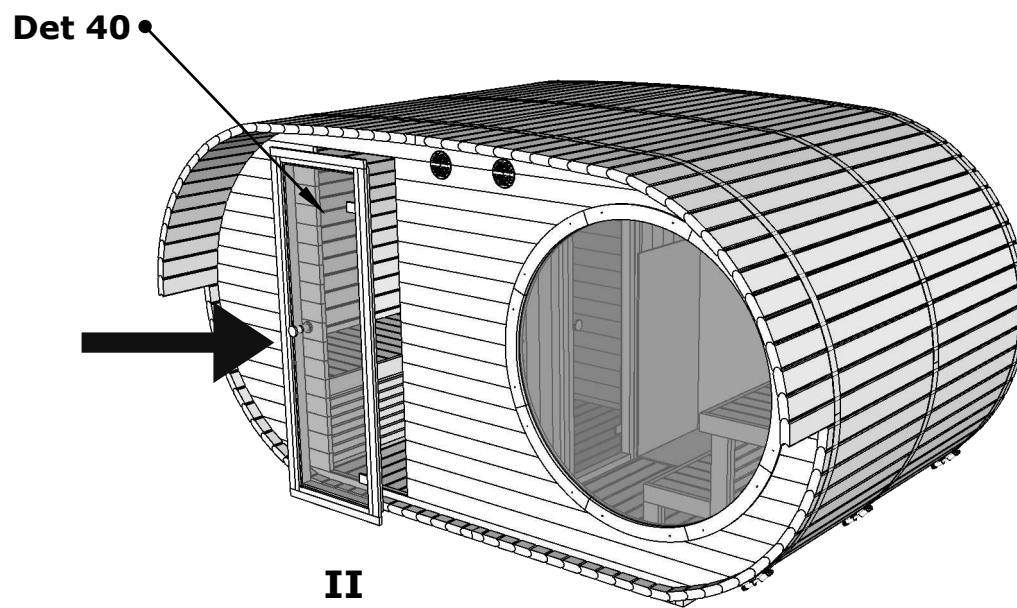
Raiki



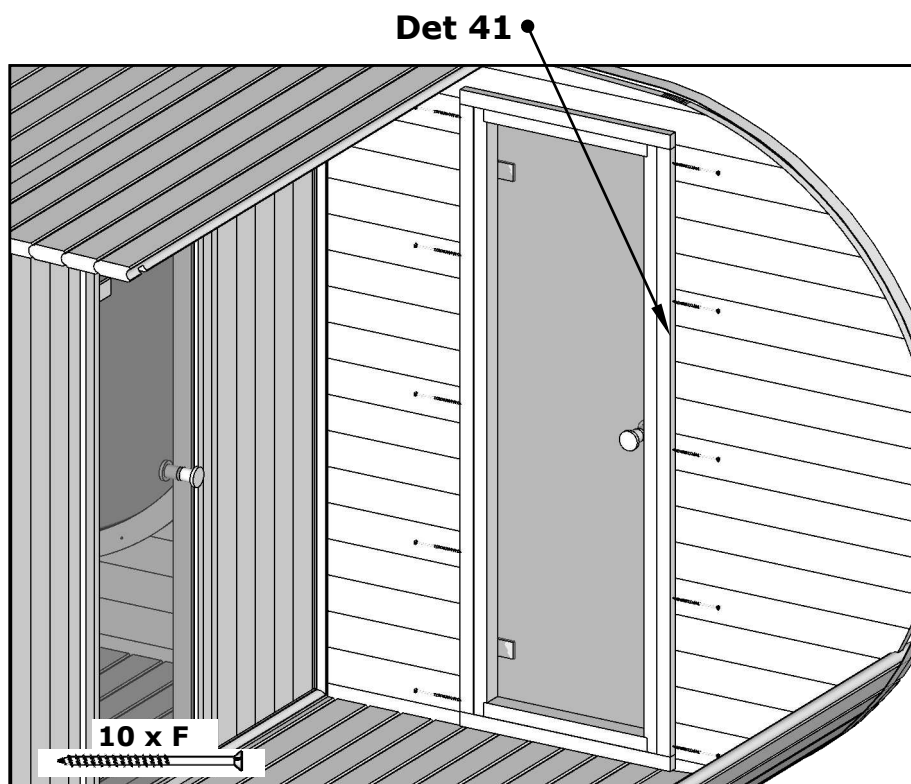
Raiki



I

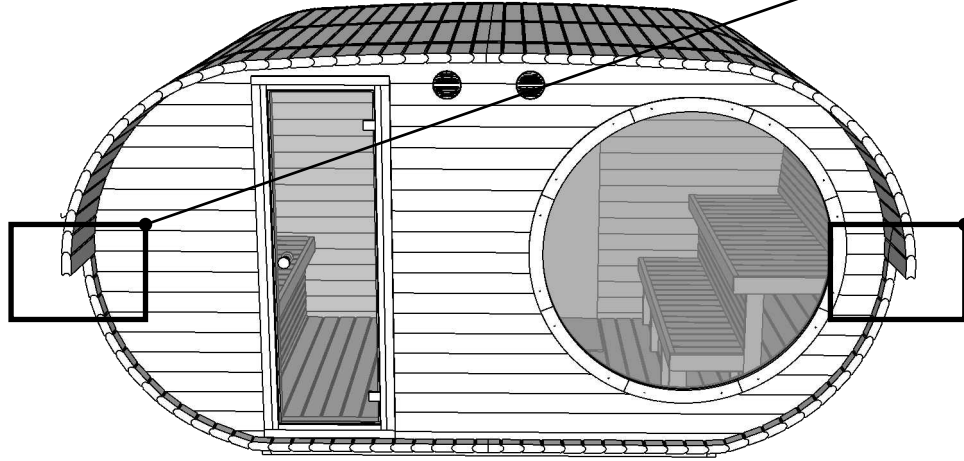


II

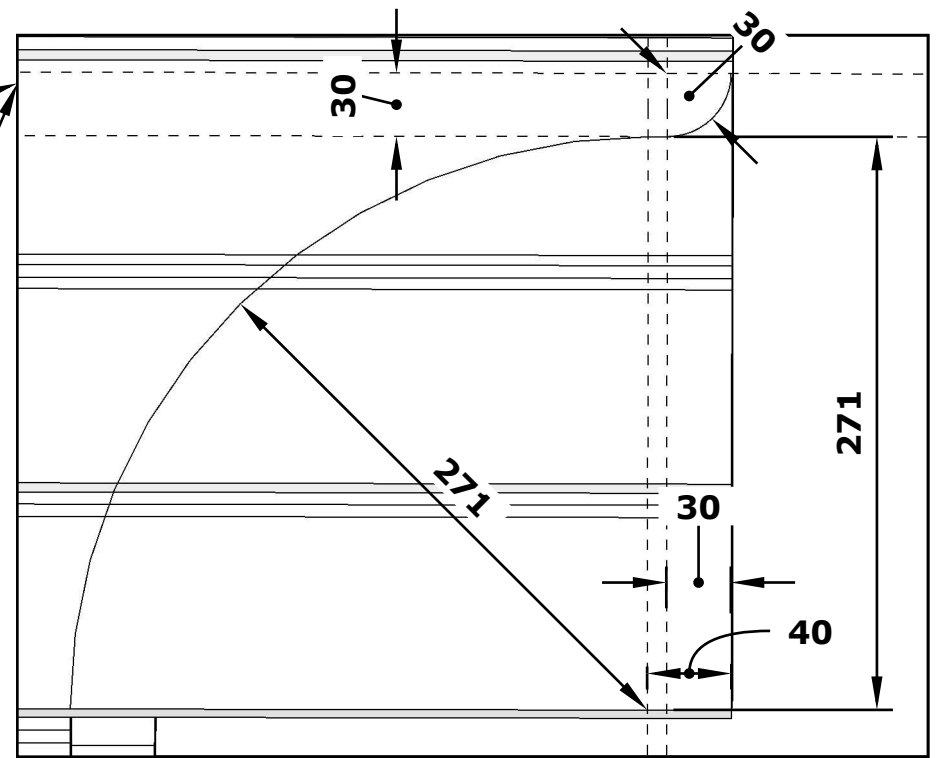


III

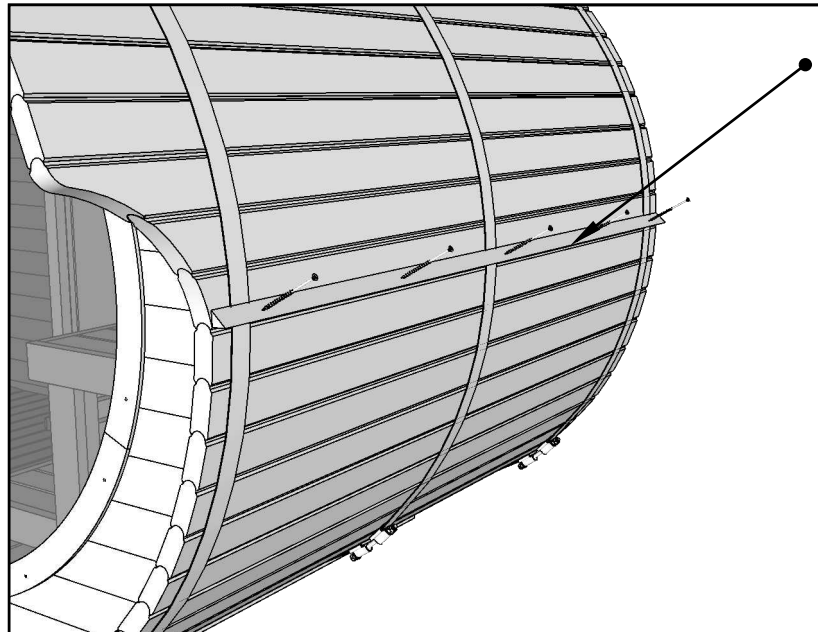
Raiki



I



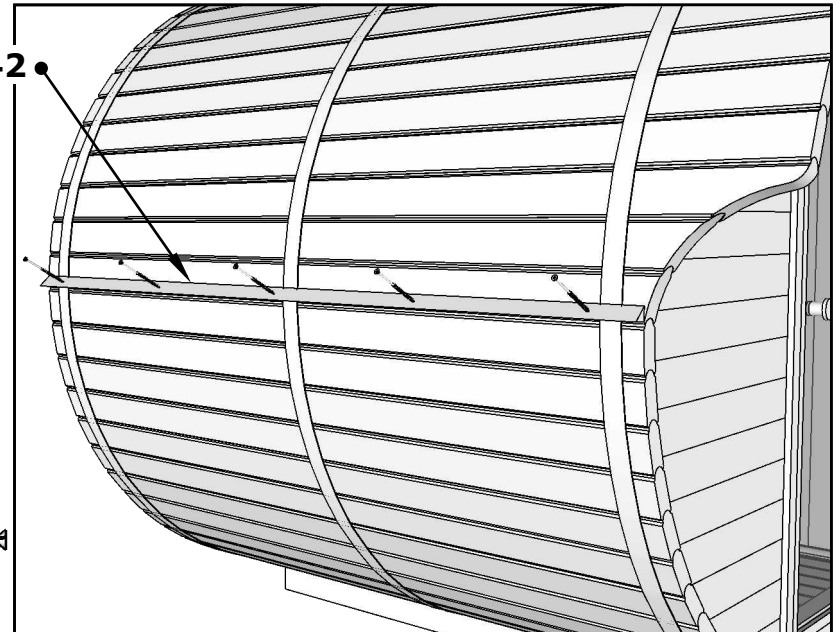
Mark the arcs and cut them out.



2 x Det 42

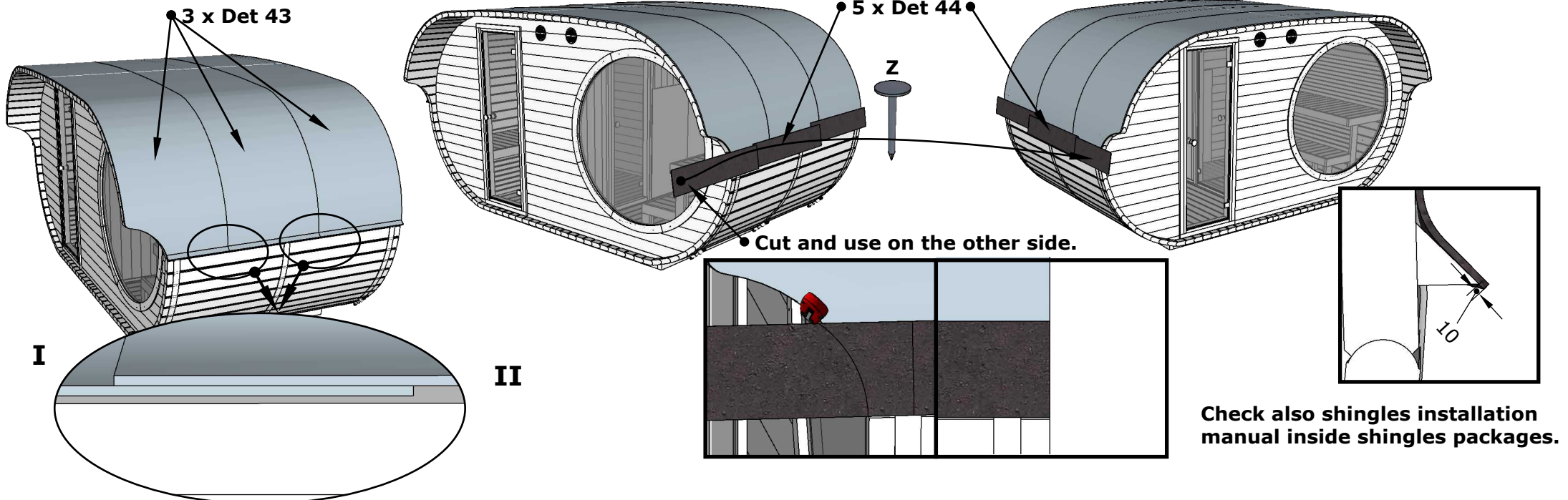


II

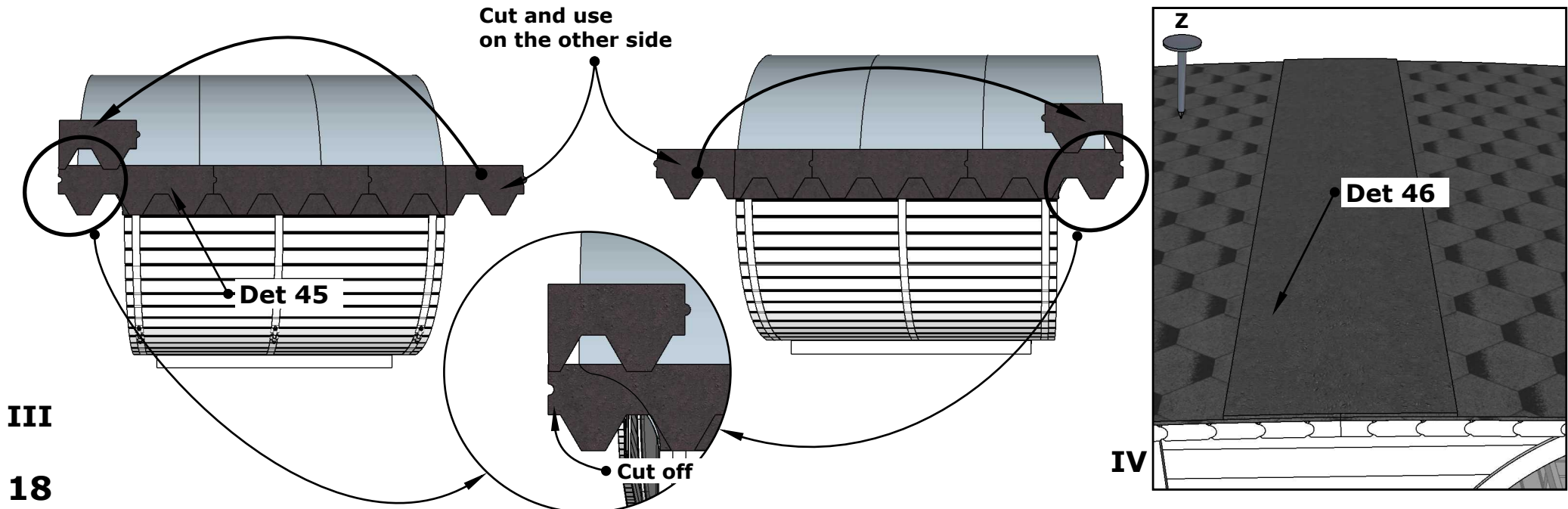


17

Raiki



Check also shingles installation manual inside shingles packages.



Raiki

